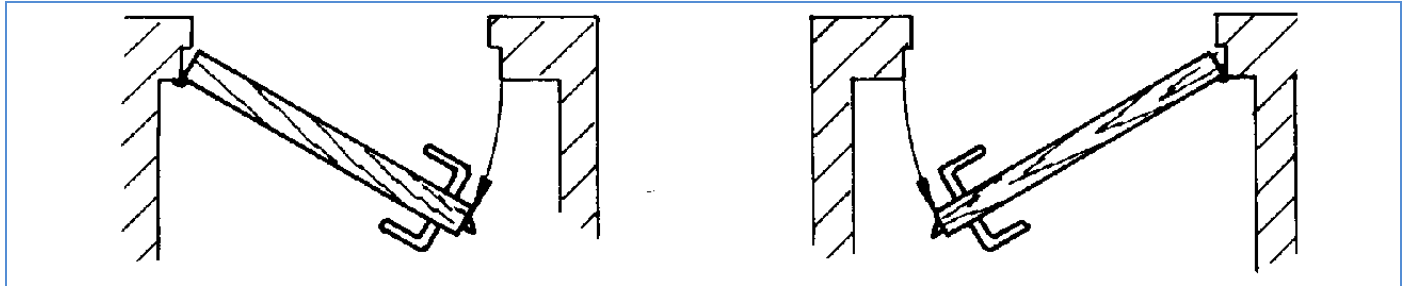




Standard European (DIN) Handing for Mortise Locks and Swinging Doors:

OUTSIDE



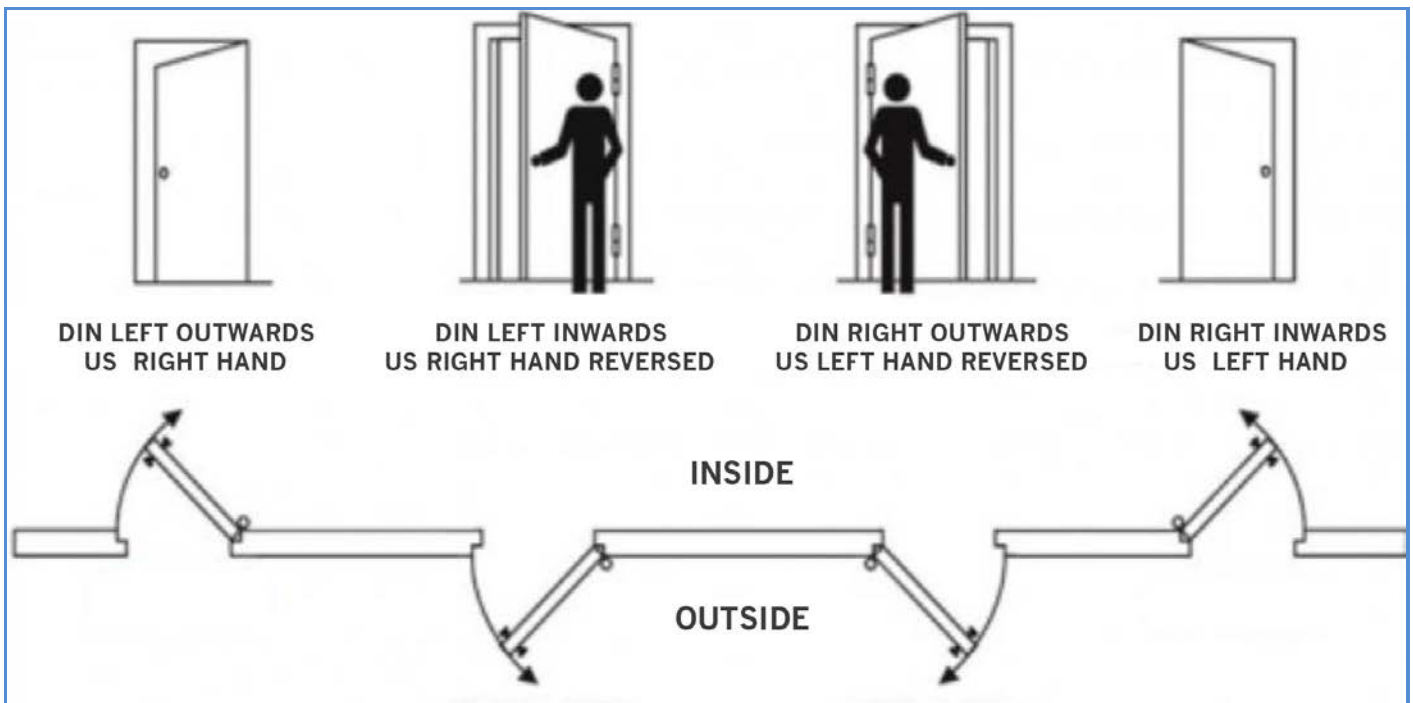
DIN LEFT HAND

INSIDE

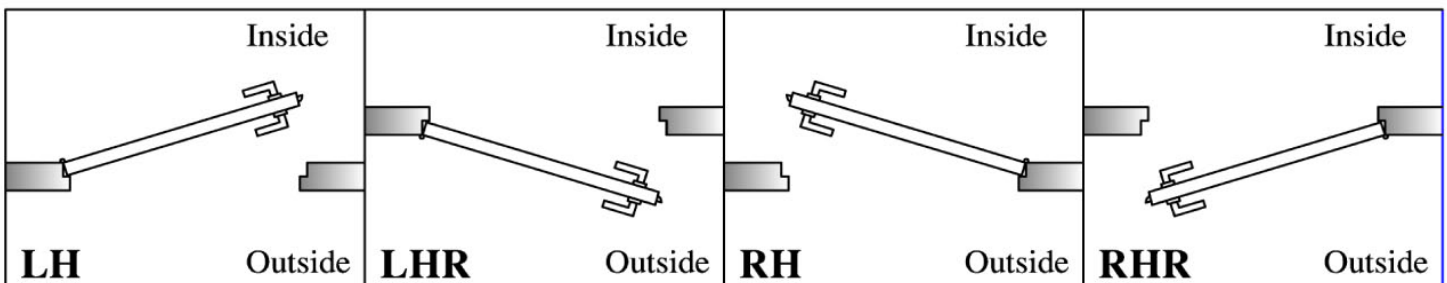
DIN RIGHT HAND

The DIN Standard applies to most Mega Yachts Door Schedules.

Handing Door Schedules for: Residential European (DIN) and Residential American (US) Swinging Door the following schedule applies, showing DIN Standard and US Standard:

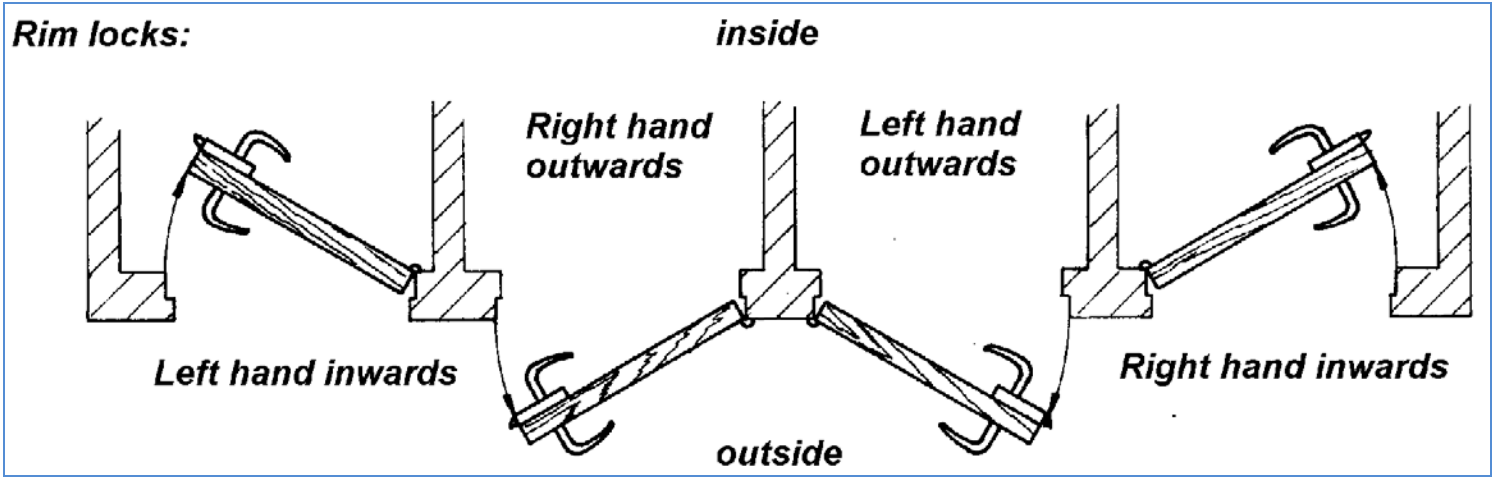


Standard US Handing schedule:

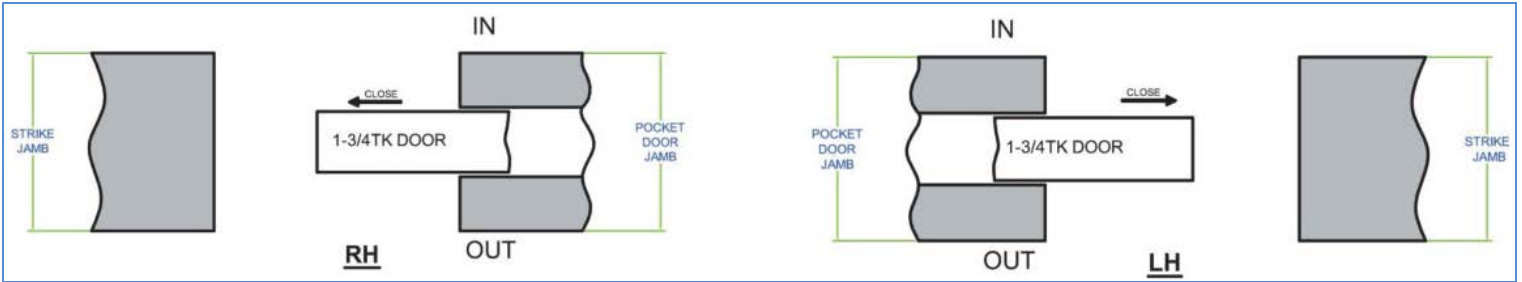




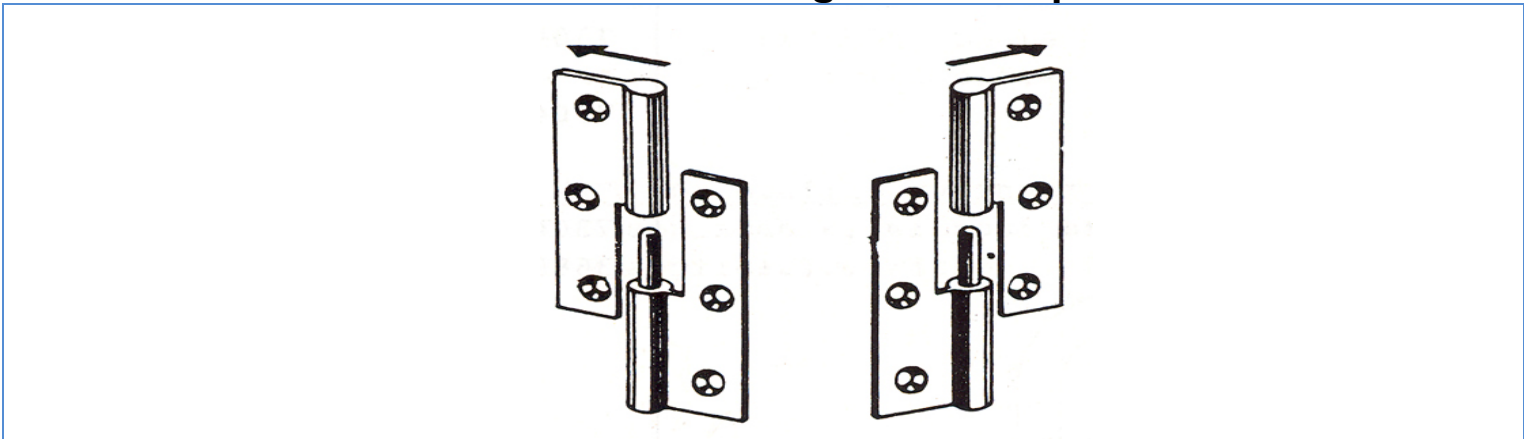
HANDING OF RIM MOUNTED LOCKS EUROPEAN DIN STANDARD:



HANDING OF POCKET DOORS US STANDARD:

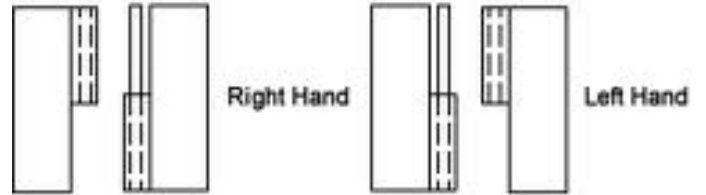
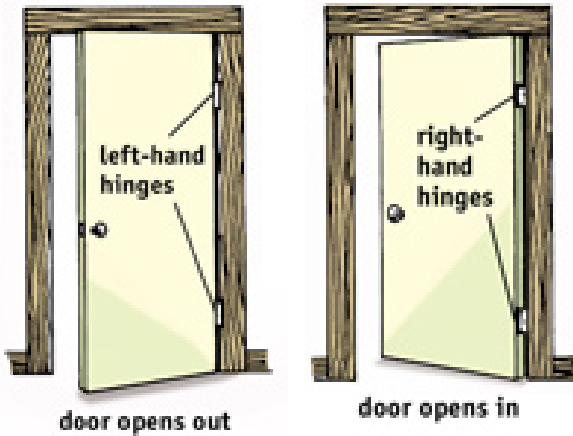


HANDING of LIFT OFF HINGES according to the European DIN Standard:





Standard US Hinges Handing



Handing For Standard US Butt Hinges and Lift Off Hinges (Slip Joint Hinges)

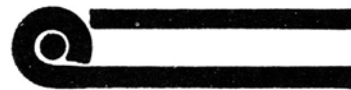


Handicapped Code Full Away Swinging Hinges and Butt Hinge Installation

Hinge Swaging



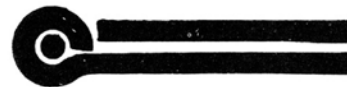
Hinge not swaged — figure 1



Hinge not swaged — figure 2



Hinge swaged (standard) — figure 3



Hinge swaged (standard) — figure 4


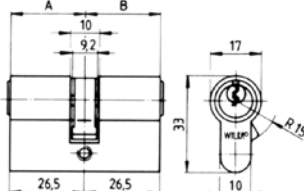

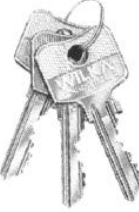
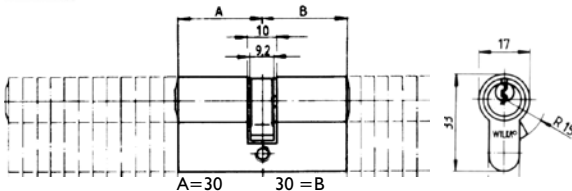
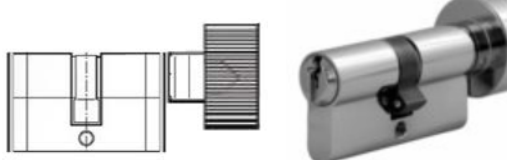
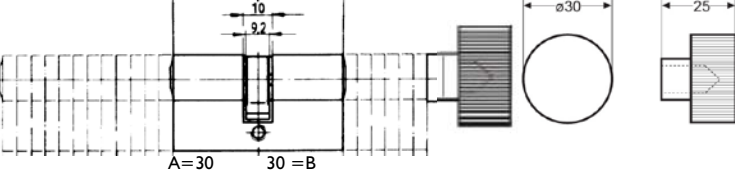


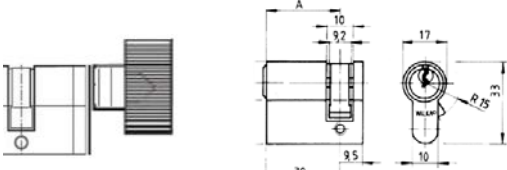






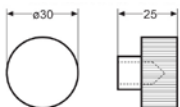
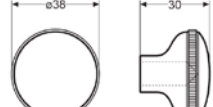
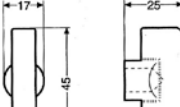





*Hinge with one leaf swaged — figure 5



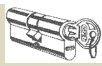
*Hinge with one leaf swaged flat — figure 6



Order number		Material	Specifics	Finish
 Picture Profile Cylinder key/key Series #05.488 Small: 53 mm overall length				
05.488.566	key/key	Brass	A= 26.5 mm B= 26.5 mm key-key; satin chrome	
05.488.266	key/key	Brass	A= 26.5 mm B= 26.5 mm key-key; polished chrome	
05.407.566	key/knob	Brass	A= 26.5 mm B= 26.5 mm key-knob; satin chrome	
05.407.266	key/knob	Brass	A= 26.5 mm B= 26.5 mm key-knob; polished chrome	
 Picture Profile Cylinder key/key series #05.400 62 MM OVERAL LENGTH UP TO 182 MM OVERAL LENGTH WITH INCREMENTS OF 5 MM ALSO AVAILABLE ACYMETRIC		 Key blanks #05.150 nickel		
05.400.566	key/key	Brass	A= 30 mm B= 30 mm key-key; satin chrome	
05.400.266	key/key	Brass	A= 30 mm B= 30 mm key-key; polished chrome	
 Picture: Profile Cylinder key/knob Series #05.405 Specify Knob (knob depicted: #05.502 62 MM OVERAL LENGTH UP TO 182 MM OVERAL LENGTH NOT COUNTING THE KNOB WITH INCREMENTS OF 5 MM - ALSO ACYMETRIC				
05.405.566	key/knob	Brass	A= 30 mm B= 30 mm key-key; satin chrome	
05.405.266	key/knob	Brass	A= 30 mm B= 30 mm key-key; polished chrome	
 Half keyway #05.415 key/- UP TO 90 MM			 Half knob #05.416 knob/- special order	
05.415.566	Key/ - 30 - 0	Brass	A= 30 mm B= 0 mm key---; satin chrome	
05.415.266	Key/ - 30 - 0	Brass	A= 30 mm B= 0 mm key---; polished chrome	
05.416.566	Knob/ - 30 - 0	Brass	A= 30 mm B= 0 mm key---; satin chrome	
05.416.266	Knob/ - 30 - 0	Brass	A= 30 mm B= 0 mm key---; polished chrome	
     				
     				
<p>#05.502 #05.602 #05.762 #05.517 #09.P07 #09.P05</p> <p>#05.502 #05.602 #05.762 #05.008 #13.J454 #13.J453</p>				

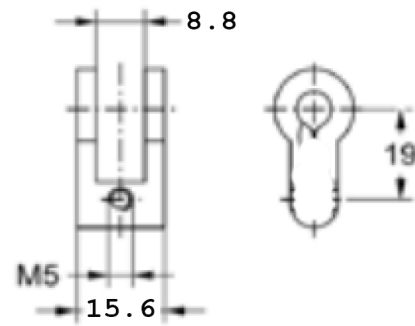


<p>Profile cylinder, 60 mm, privacy (slotted bolt/knob) Profile cylinder, 60 mm, privacy (slotted bolt/key)</p>		<p>A= 30 mm slotted bolt B= 30 mm key A= 30 mm slotted bolt B= 30 mm knob</p>	
<p>05.489 05.487</p>	<p>Slotted bolt/key Slotted bolt/knob</p>		
<p>Escutcheon pair: #14.129.508 with 1 cylinder cover #05.599</p>	<p>#05.599 #05.5991 Profile cylinder covers, spring loaded.</p>		
<p>#05.599 Profile cylinder cover, spring loaded. 12 mm</p>	<p>#05.5991 Profile cylinder cover, spring loaded. 17 mm</p>		
<p>05.599.608 05.5991.606</p>	<p>PC cover 3 mm PC cover 8 mm</p>	<p>Overall sizes: 29 x 58 x 12 mm Overall sizes: 29 x 58 x 17 mm</p>	
<p>Round Cylinders for small locks and cabinet locks</p>	<p>#05.590 Round key nickel</p>	<p>Cabinet rim lock #21.73Z; 25 mm backset with keyway #05.522</p>	
<p>05.522</p>	<p>round cylinder 22 mm</p>	<p>Brass/chrome</p>	<p>#21.73Z Cabinet rim lock with round cylinder</p>
<p>05.525</p>	<p>round cylinder 25 mm</p>	<p>Brass/chrome</p>	<p>see catalog page 2-1</p>
<p>05.530</p>	<p>round cylinder 30 mm</p>	<p>Brass/chrome</p>	<p>See on line:</p>
<p>05.535</p>	<p>round cylinder 35 mm</p>	<p>Brass/chrome</p>	<p>Izerwaren.com: Door hardware / Cabinet door hardware / Details marine slam latches / page 2-1.</p>



Izerwaren
Order
numbers

Profile Key Cylinder
replacement inserts
to change the function
from Entry to Privacy
(bathroom function)

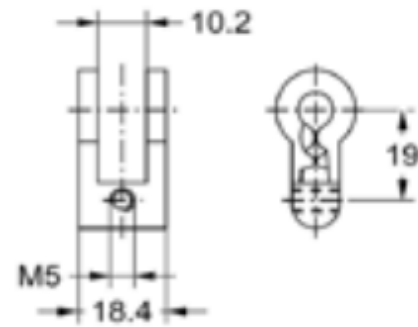


22.7000 Adapter for profile cylinder brass
to thumb-turn / indicator
with 7x7 mm spindle

#22.7000 Insert to replace profile cylinder key way with thumb-turn
For privacy (toilet) set up with 7x7 mm spindle
Brass casing with zinc follower



#14.73Z mortise lock
with insert #22.7000.

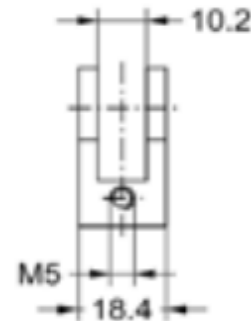


22.7423 Insert changes function to skeleton
keyway

22.7423 Skeleton Key Insert replacing Profile Key Cylinder.
Material: Zinc; interior grade



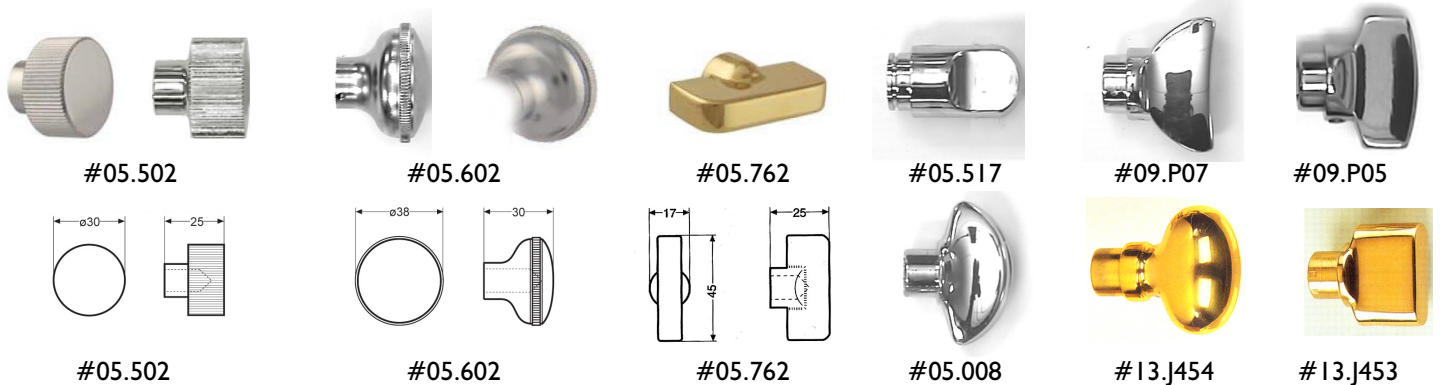
#13.31Z Stainless Steel Rim-lock
with Thumb-turn
See page 1-3-B for details



22.755 Adapter for Profile Cylinder
To 6 x 6 mm spindle for
Thumb-turn / indicator
Stainless Steel
For marine applications

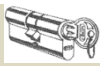
22.755 Profile Cylinder insert convert from Entry to Privacy
With 6 x 6 mm spindle for thumb turn / indicator.
Stainless Steel. For marine applications

Thumb-turn designs available:





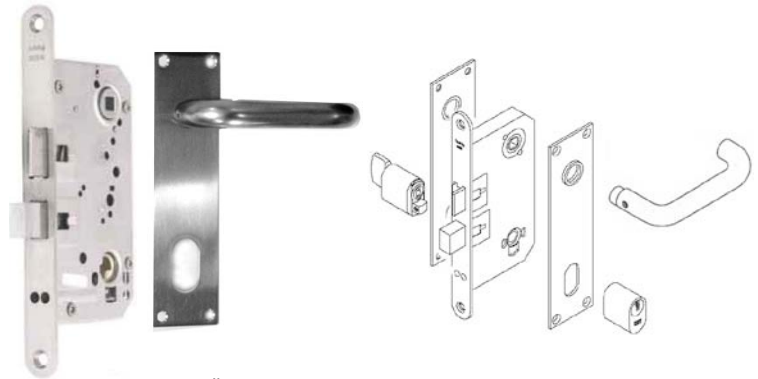
#11.BRET02. Complete Entry Set.
Keyway, thumb-turn, Chrome levers and escutcheon plates and black insulation plates.
INTERIOR GRADE with triple latch bolt use lock case #11.316
Exterior grade: Use Mortise Lock #11.312
Details page I-I and I-I-A and I-I-B



Izerwaren
Order numbers

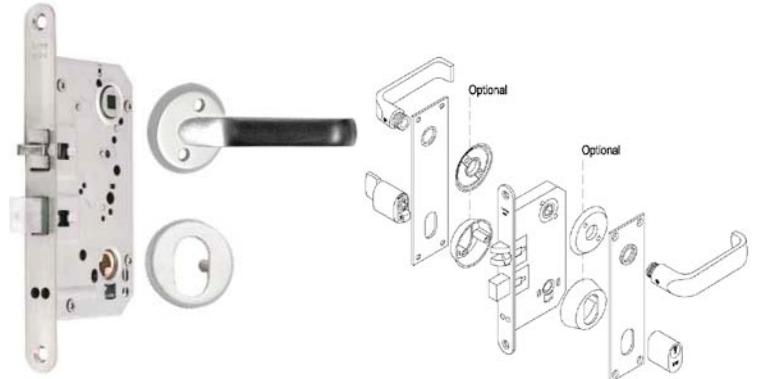
- Stainless Steel Heavy duty Mortise locks;
- Backset 55 mm
- Standard finish: Brushed stainless steel
- Option: Mirror Polished Stainless Steel Finish

- 11.SEET01 **Set:** Exterior lock with satin stainless levers and escutcheons
 11.BEET01 **Set:** Exterior lock with satin chrome levers and escutcheons
 11.312 Exterior Lock separate (Trioving 5312)
 With key outside and thumb-turn inside
 Heavy Duty; one piece latch-bolt,
 for 8 x 8 mm square spindle



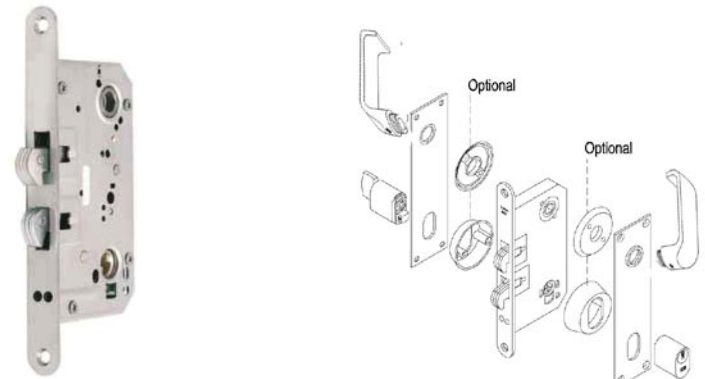
Exterior Entry lock Set: #11.SEET01 - Stainless Steel Levers and Escutcheons
 Exterior Entry lock Set: #11.BEET01 - Chrome Levers and Escutcheons

- 11.BRET01 **Set:** Interior lock with satin chrome levers and escutcheons.
 11.BRET02 **Set:** Interior lock with polished chrome levers and roses.
 11.316 Interior Lock separate (Trioving 5316)
 11.317 Interior Lock separate (Trioving Privacy 5317)
 With key outside and thumb-turn inside
 Medium duty; three piece latch-bolt,
 for 8 x 8 mm square spindle



Interior lock Set: #11.BRET01 - Chrome Levers and Escutcheons
 Interior lock Set: #11.BEET02 - Chrome Levers and Roses

- 11.BPRT01 **Set:** Interior passage lock with satin chrome levers and roses
 11.BPET01 **Set:** Interior passage lock with satin chrome levers, escutcheons.
 11.336 Interior passage latch separate (Trioving 5336)
 Medium duty. Not depicted details: see page I-0-B
 11.SDRT01 **Set:** Deadbolt lock with chrome levers and roses
 11.SDET01 **Set:** Deadbolt lock with chrome levers, escutcheons
 11.341 Deadbolt lock separate (Trioving 5341)
 Deadbolt lock not depicted. Details: see page I-0-C



Exterior Sliding lock Set: #11.SPOCT07 - Stainless Steel Levers and Escutcheons
 Exterior Sliding lock Set: #11.BPOCT07 - Chrome Levers and Escutcheons
 Exterior Sliding lock Set: #11.BPORT07 - Chrome Levers and Roses

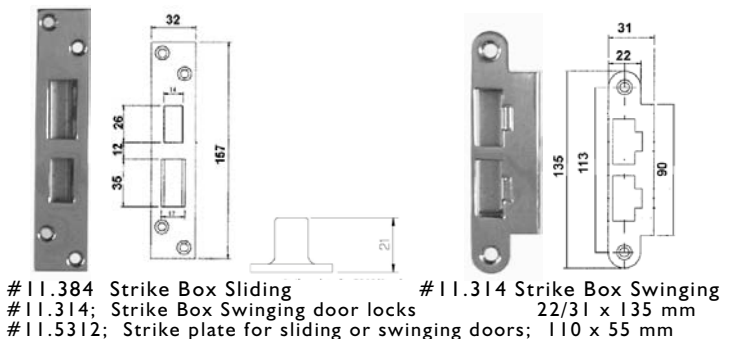
- 11.SSET01 **Set:** Exterior sliding lock with stainless levers, escutcheons
 11.BSET01 **Set:** Exterior sliding lock with chrome levers, escutcheons
 11.BSRT01 **Set:** Exterior sliding lock with chrome levers and roses
 11.382 Sliding Lock separate (Trioving 5382)
 Heavy Duty, Double hook bolt, for exterior and
 interior doors. For 8 x 8 mm square spindle



11.5312 Extra wide strike plate for entry locks
 110 x 55 mm

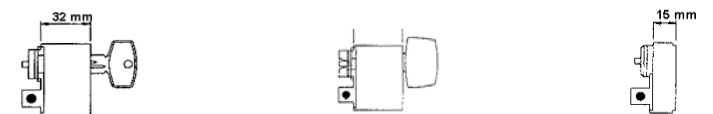
11.384 Strike Box for sliding door lock, stainless steel
 Size: 157 X 32 x 21 mm

11.314 Strike Box for swinging door lock, stainless steel
 Size: 135 x 22 + 9 mm



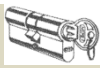
#11.384 Strike Box Sliding #11.314 Strike Box Swinging
 #11.314; Strike Box Swinging door locks 22/31 x 135 mm
 #11.5312; Strike plate for sliding or swinging doors; 110 x 55 mm

- 11.520 Oval Cylinder (half) with key. Body: 32 mm
 11.544 Oval Cylinder (half) with knob. Body: 32 mm
 11.508 Keys, nickel silver; special keying available
 11.555 Extensions for cylinder or thumb-turn 15 mm, brass

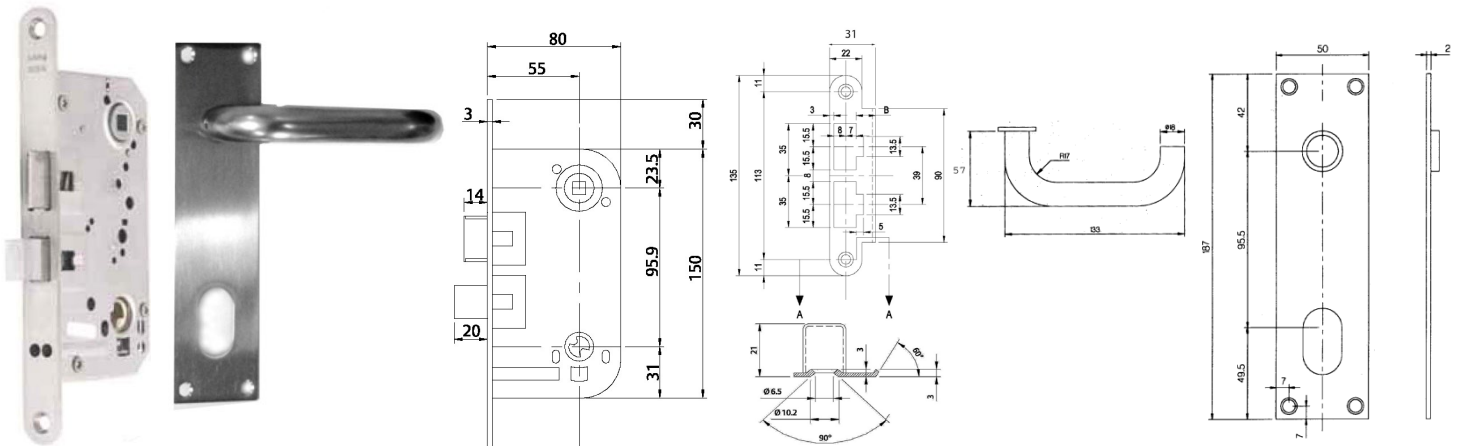


Keyed Oval Cylinder #11.520 Thumb-turn #11.544 Extensions #11.555

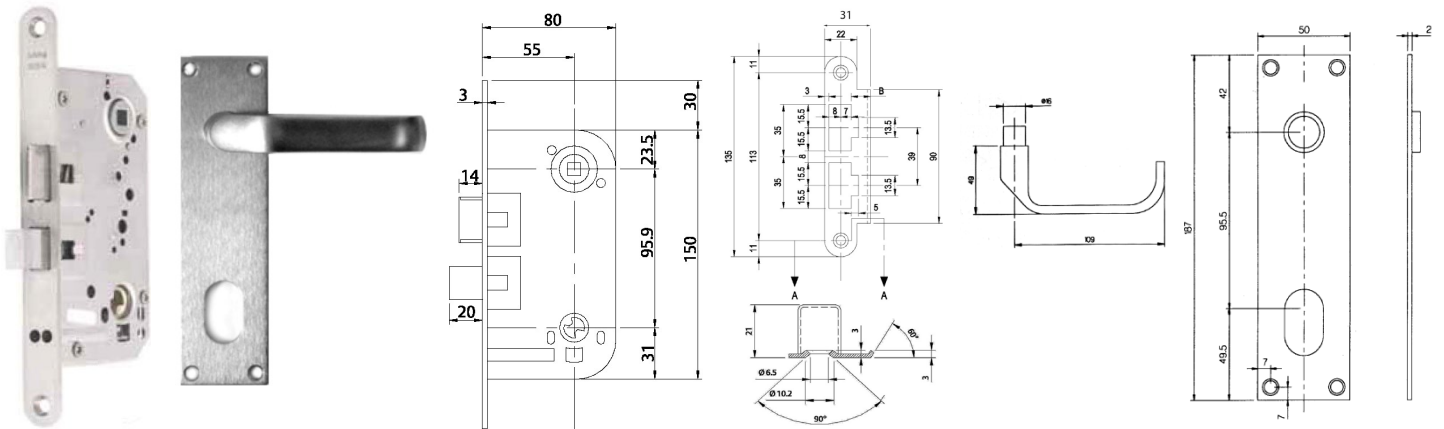
FOR DETAILS TRIOVING TRIM SETS SEE PAGE I-1-0



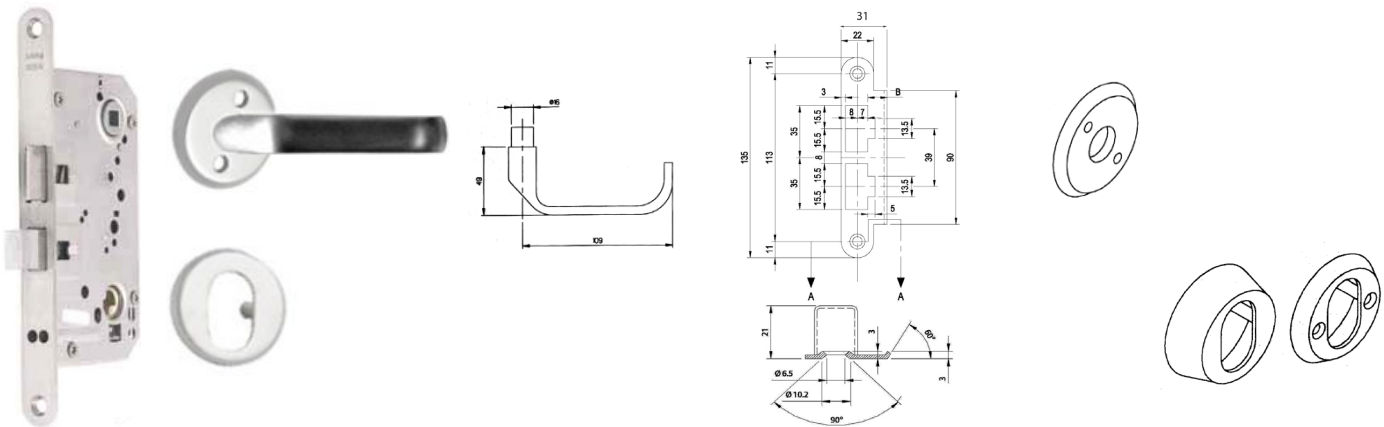
ENTRY SETS HEAVY DUTY WITH DRAWINGS





#11. SEET01. Complete Entry Lock Set Heavy Duty with stainless steel trim with escutcheon plates. Specify door thickness when ordering.



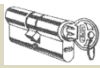
#11. BEET01. Complete Entry Set Heavy Duty with chrome trim with escutcheon plates.



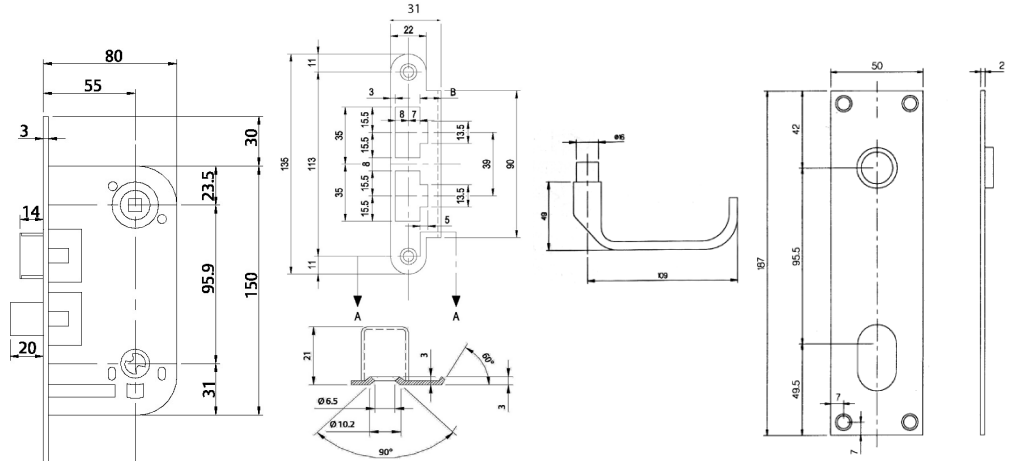
#11. BERT01. Complete Entry Set Heavy Duty with chrome trim with round roses.

- All sets include: 1 keyway  with 2 keys and 1 thumb-turn  (optional: 2 keyways; no thumb-turn)
- Specify satin or polished.
- Specify left or right (see page 0-2 for handing)

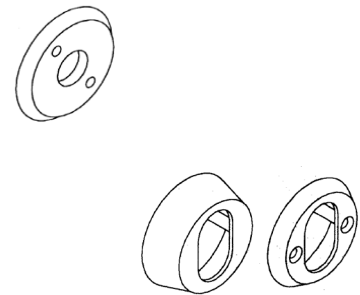
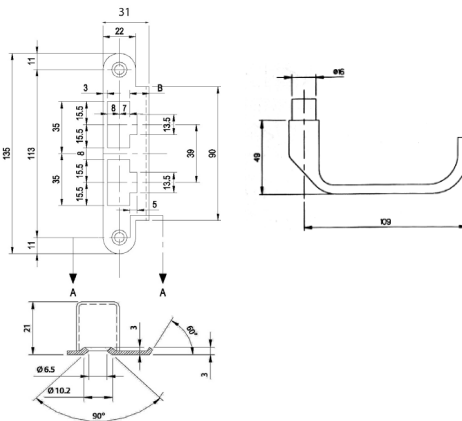
UPGRADE TO YACHT TRIM: SEE PAGE I-1-I



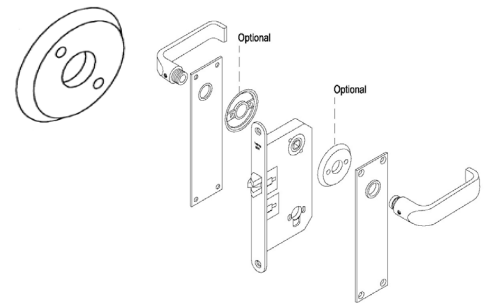
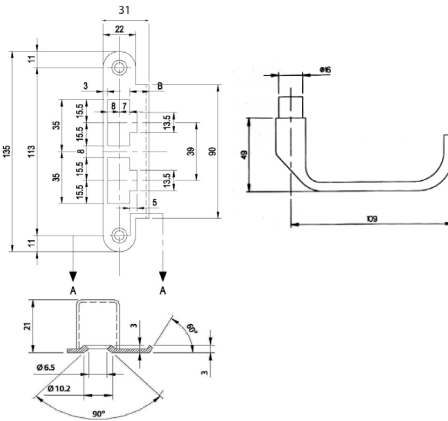
INTERIOR SETS WITH DRAWINGS



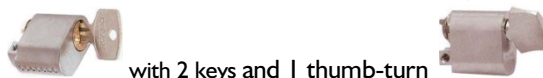
#11.BRET01. Complete Entry / Privacy Set for Interior doors with chrome trim with escutcheons and spacer plate



#11.BRRT01. Complete Entry / Privacy Set for Interior doors with satin chrome trim and roses.
Privacy execution: By means of 1 thumb-turn and 1 indicator.



#11.BPRT01. Complete Passage Set for Interior doors with chrome trim and roses.
#11.BPET01. Complete Passage Set for Interior doors with chrome trim and escutcheon plates.

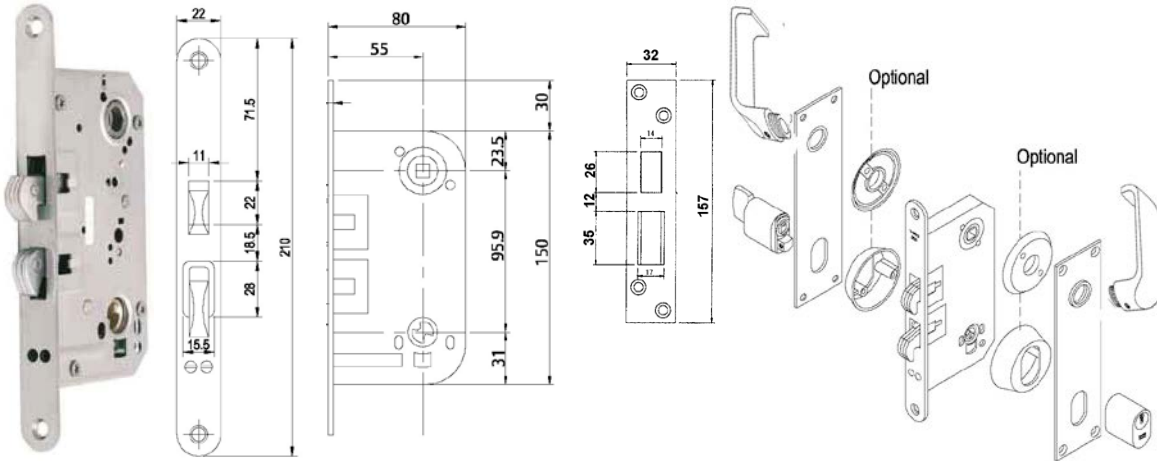


- All sets (not passage locks) include: 1 keyway with 2 keys and 1 thumb-turn (Optional: 2 keyways, no thumb-turn)
- Specify door thickness when ordering.
- Specify satin or polished
- Specify left or right (see page 0-2 for handing)

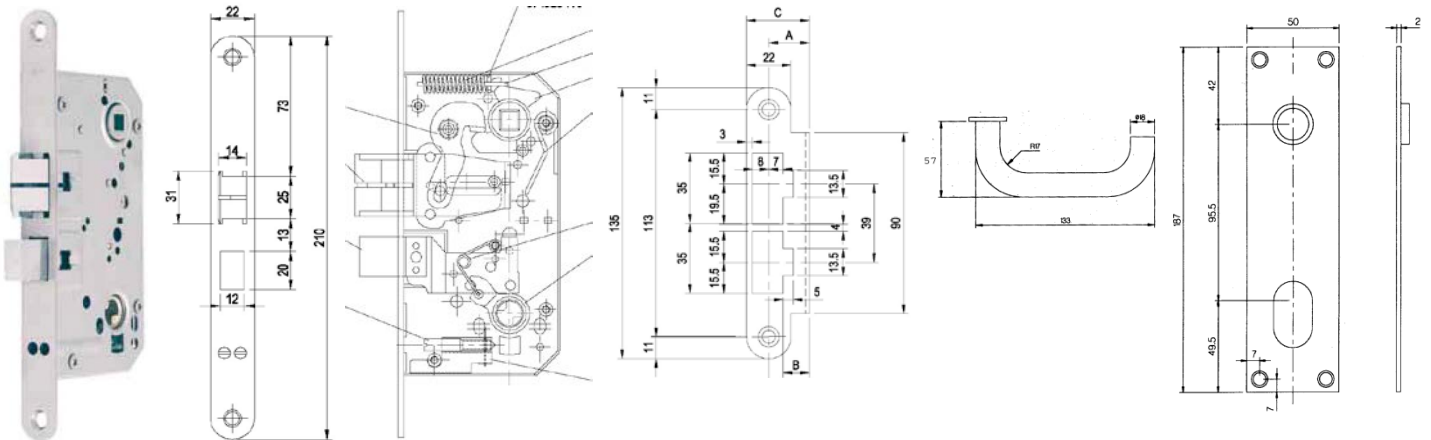
UPGRADE TO YACHT TRIM: SEE PAGE 1-1-1



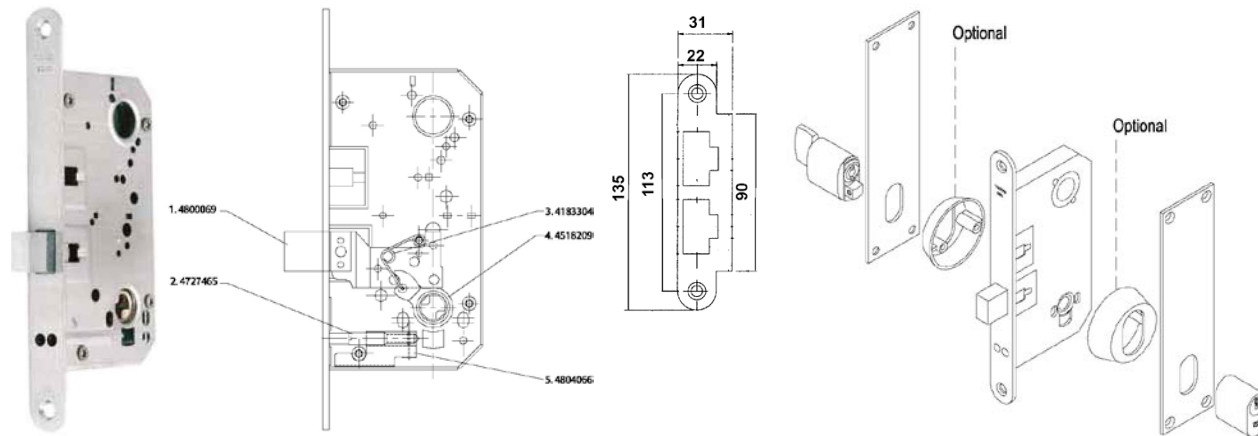
EXTERIOR LOCK SETS WITH DIMENSIONS IN MM





- #11.SSET01. Complete Entry Sliding Door Set for Interior doors with satin stainless steel trim and escutcheons.
- #11.BSET01. Complete Entry Sliding Door Set for Interior doors with satin chrome trim and escutcheons.
- #11.BSRT01. Complete Entry Sliding Door Set for Interior doors with satin chrome trim and roses.



- #11.SEET07. Complete Entry Lock Set with 20 mm extended Bolt for Exterior doors with satin stainless steel trim and escutcheons.
- #11.SEET09. Complete Entry Lock Set with extended Bolt for Exterior doors with satin chrome trim and escutcheons
- #11.SERT07. Complete Entry Lock Set with extended Bolt for Exterior doors with satin chrome trim and roses.



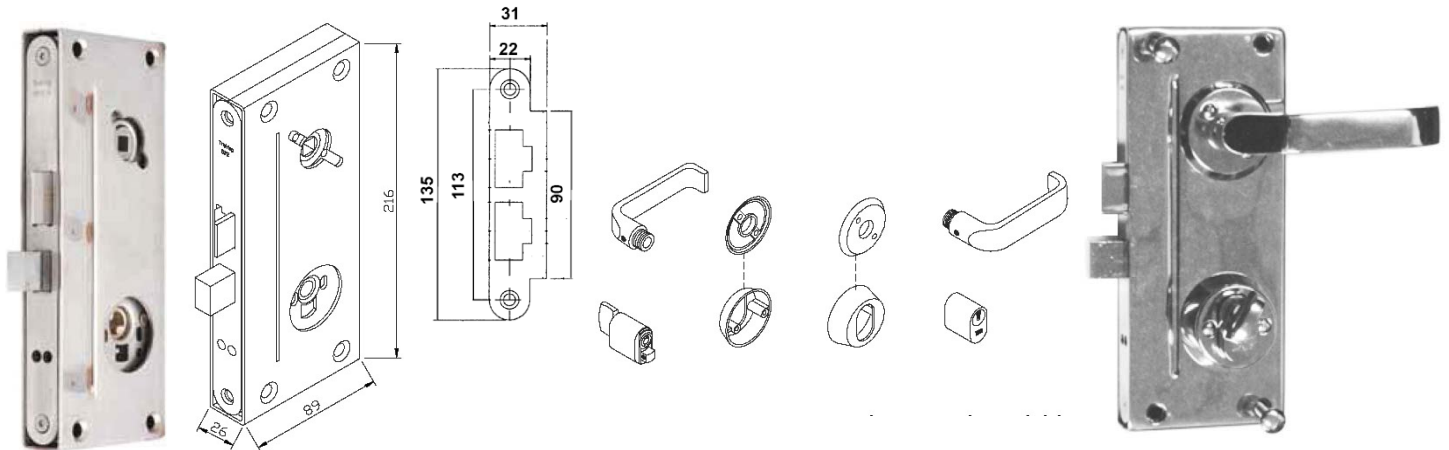
- #11.SDET03. Complete Dead Bolt Lock Set with satin stainless steel escutcheons.
- #11.SDET01. Complete Dead Bolt Lock Set with satin chrome trim and escutcheons
- #11.SDRT01. Complete Dead Bolt Lock Set with satin chrome trim and roses.

All sets include: 1 keyway  with 2 keys and 1 thumb-turn  (Optional: 2 keyways, no thumb-turn)
 Specify door thickness when ordering.
 Specify satin or polished
 Specify left or right (see page 0-2 for handing)

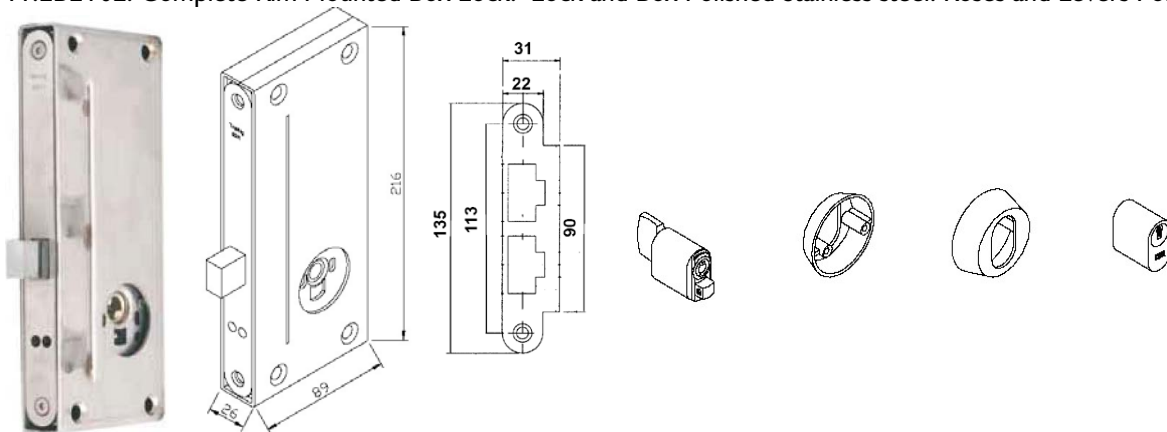
UPGRADE TO YACHT TRIM: SEE PAGE I-1-I



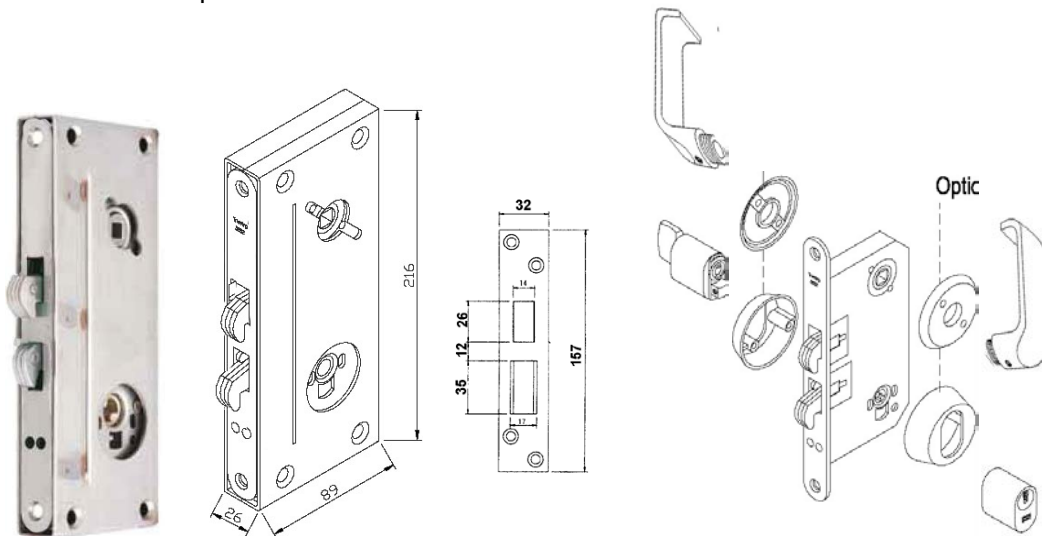
EXTERIOR BOX SETS WITH DIMENSIONS IN MM





#11.EBET01. Complete Rim Mounted Box Lock. Lock and Box Satin Stainless steel. Roses and Levers Satin Chrome Plated Brass.
#11.EBET02. Complete Rim Mounted Box Lock. Lock and Box Polished Stainless steel. Roses and Levers Polished Chrome Plated.



#11.BDRT01. Complete Rim Mounted Box Lock. Lock and Box Satin Stainless steel. Roses and Keyway Satin Chrome Plated Brass.
#11.BDRT02. Complete Rim Mounted Box Lock. Lock and Box Polished Stainless steel. Roses and Keyway polished Chrome Plated.



#11.SBET01. Complete Rim Mounted Sliding Box Lock. Lock and Box Satin Stainless Steel. Roses and Keyway Satin Chrome Plated.
#11.SBET02. Complete Rim Mounted Sliding Box Lock. Lock and Box Polished Stainless Steel. Roses and Keyway Polished Chrome.

- All sets include: 1 keyway  with 2 keys and 1 thumb-turn  (Optional: 2 keyways, no thumb-turn)
- Specify door thickness when ordering.
- Specify left or right (see page 0-2 for handing)

UPGRADE TO YACHT TRIM: SEE PAGE 1-1-I

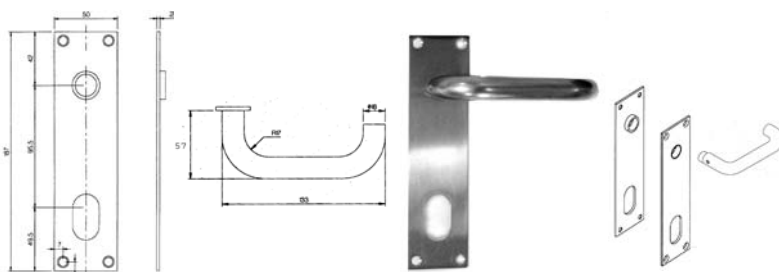


IZERWAREN
Order
numbers

- Trioving Standard Trim for Mortise Locks
- For Trioving locks see page I-1
- For UPGRADE to YACHT trim see page I-2

11.605 **Stainless Steel Lever Handle**, (Trioving 8605)
U shape model 133 x 57 mm
for 8 x 8 mm square spindle

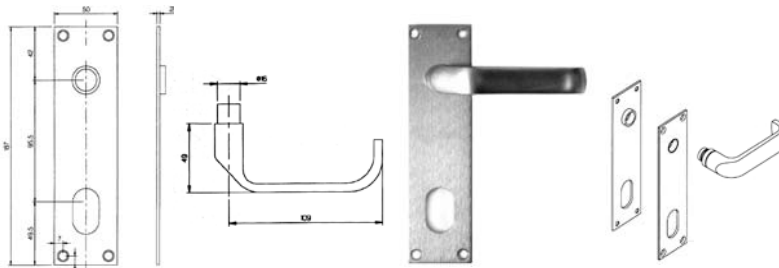
11.653 **Stainless Steel Escutcheon plate** (Trioving 8660)
rectangular 187 x 50 x 2 mm
Finish: Polished or Satin Stainless Steel



Stainless steel trim set: Escutcheon #11.653 & Lever #11.605
Escutcheon: 187 x 50 x 2 mm; Lever: 57 x 133 mm

11.363 **Chrome Plated Lever Handle** (Trioving 7364)
Standard model 109 x 49 mm
for 8 x 8 mm square spindle

11.715 **Chrome Escutcheon Plate** (Trioving 7715)
rectangular 187 x 50 x 2 mm
Finish: Polished or Satin Chrome



Chrome plated trim set: Escutcheon #11.363 & Lever 11.363.
Escutcheon: 187 x 50 x 2 mm; Lever 49 x 109 mm



11.695 **Spacer Plate** #11.695 for escutcheon plate
black plastic



11.5967 **Cylinder coat; black plastic, 10 mm.**
11.5968 **Cylinder coat; black plastic, 6 mm.**

11.509 **Chrome plated rose for lever**(Trioving 7509)
Diameter 54 mm, 6 mm thick

11.962 **Chrome plated roses for cylinder** (Trioving 5966)
Diameter 54 mm: different thickness:
6 mm thick
9 mm thick
12 mm thick - please specify thickness



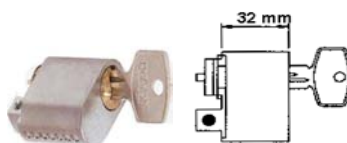
Chrome plated trim set: Rose #7509 & Lever 5316
Rose: 54 mm diameter, Lever 49 x 109 mm



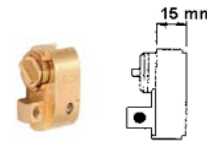
Key way rose, pair #5962, 54 mm diameter; specify thickness rose

11.520 **Oval Cylinder** (half) with key. Body: 32 mm

11.555 **Extensions** for cylinder or thumb-turn 15 mm, brass



Oval Cylinder key way #11.520



Extensions 15 mm #11.555

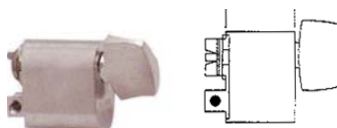
11.544 **Oval Cylinder** (half) with knob. Body:-32 mm

11.555 **Extensions** for cylinder or thumb-turn 15 mm,

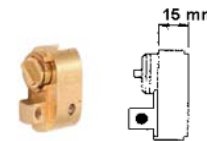
11.508 **Keys**, nickel silver; special keying available

11.200 **Spindles, 8 x 8 mm different lengths**

11.H07 **Through bolts** Trioving, set of 2 bolts and 2 nuts



Keyed Thumb-turn #11.544

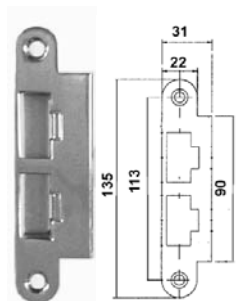


Extensions 15 mm #11.555

11.314 **Strike Box** for swinging door lock, stainless steel
Size: 135 x 22 + 9 mm

11.5312 **Extra wide Strike Plate** for entry locks
Size: 110 x 55 mm

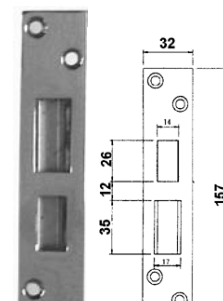
11.384 **Strike Box** for sliding door lock, stainless steel
Size: 157 X 32 x 21 mm



Strike Plate #11.314
136 x 38 mm



#11.5312
110 x 55 mm



#11.384
167 x 32 mm

UPGRADE TO YACHT TRIM: SEE PAGE I-1-I



UPGRADE

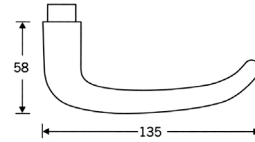
#11.SEFT.011 Complete set: with lock, strike and key/thumb-turn
Lever #12.527; Escutcheon #12.222 Polished Stainless Steel



Stainless steel levers for full size mortise marine locks Finish: satin or mirror polished stainless steel

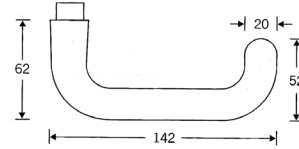
Izerwaren
Order
Numbers

12.527 Lever Classic; 135 mm long



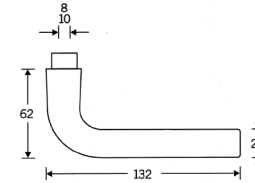
Lever Classic # 12.527; 135 mm long; stands off 58 mm
Rose #12.110; 55 mm diameter

12.045 Lever U shape; 131 mm long



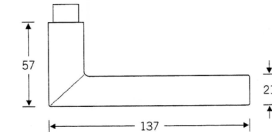
Lever #12.045; 142 mm long; stands off 64 mm; 20 mm diameter

12.547 Lever L shape; 132 mm long
Round corner



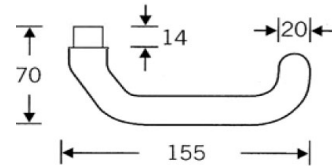
Lever #12.547; 132 mm long; stands off 64 mm; 20 mm diameter

12.576 Lever L shape; 132 mm long
Square corner



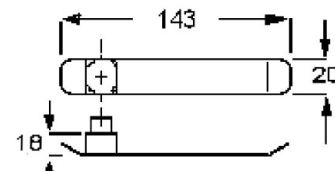
Lever #12.576; 137 mm long; stands off 57 mm; 20 mm diameter

12.021 Lever Cropped; 155 mm long



Lever #12.021; 155 mm long; stands off 56 mm; 20 mm diameter

12.53F Lever Semi Flush; 143 mm long



Lever #12.53F; 143 mm long; stands off 25 mm with standard plate; 20 mm wide

12.555 Lever Semi Flush; 120 mm long



Lever #12.555; 120 mm long; stands off 25 mm; 20 mm wide; Rounded front

12.329SF #12.329SF Thumb-turn 30 x 10 mm
On rose #12.1005 flat
Details on roses and escutcheons
See page 1-2.



Lever #12.5SF; 95 mm long; stands off 25 mm with standard plate; 20 mm wide
Use Lever Handles with Roses or Escutcheon Plates; See page 1-2 for details

12.5SF Lever Semi Flush; 95 mm long



**PICTURED: DOUBLE DOOR SET UP WITH LEVER #12.1035 AND ESCUTCHEON #12.1410
DOUBLE DOOR LOCKS UPON REQUEST, DEPENDING ON YOUR APPLICATION.
CAN BE USED FOR MARINE APPLICATIONS AND COMMERCIAL APPLICATIONS**

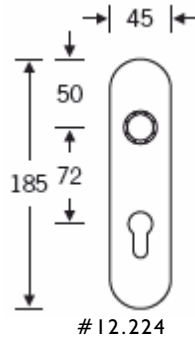
WWW.IZERWAREN.COM SALES@IZERWAREN.COM



Izerwaren
Order
numbers

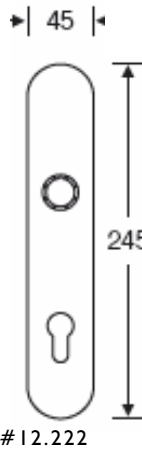
- Stainless Steel Escutcheons for marine locks
- Specify Finish:
- Satin stainless steel
- Mirror Polished stainless steel

12.224 **Stainless steel escutcheon plate**
with radius, 185 x 45 x 7 mm
Clip on style with inner escutcheon
Screws invisible



Escutcheon #12.224 45 x 185 mm
Clip on style with inner plate
stainless steel

12.222 **Stainless steel escutcheon plate**
radius, 245 x 45 x 9 mm
Clip on style with inner escutcheon
Screws invisible



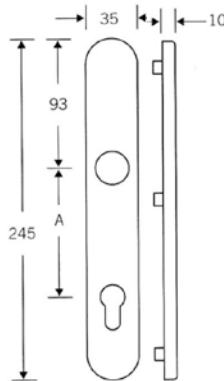
#12.222 round
Stainless steel escutcheon clip on with inner plate
Lever shown: #12.527 with Trioving keyway

12.1410 **Stainless steel escutcheon plate**
square, 245 x 45 x 9 mm
Clip on style with inner escutcheon
Screws invisible



#12.1410 square

12.416 **Stainless steel escutcheon plate**
with square corners, 245 x 35 x 10 mm
Screws visible
For Narrow Style Doors.
See pages 1-9-1 and 1-14- and 1-14-A
Cropped lever 12.021: See page 1-1-2



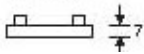
#12.416 escutcheon square corners
#12.417 escutcheon round corners
#12.021 levers, cropped; see page 1-1-2

12.417 **Stainless steel escutcheon plate**
with radius, 245 x 35 x 10 mm
Screws visible
For Narrow Style Doors.
See pages 1-9-1 and 1-14- and 1-14-A
Cropped lever 12.021: See page 1-1-2

#12.417



12.110FS Flat stainless steel outer & inner rose and bearing



Lever Rose For Fire Rated Doors



#12.110F Rose for levers 55 mm Ø flat; nylon inner rose



#12.111ZF Rose for Profile Cylinder; 55 mm Ø flat



#12.507 Oval Rose for lever 66.5 x 29.5 mm



#12.517 Oval Rose; for Profile Cylinder 66.5 mm x 29.5 mm



#12.111T Rose for Oval Cylinder; 55 mm Ø flat



#13.329SF: Thumb-turn 30 x 10 mm with flat rose

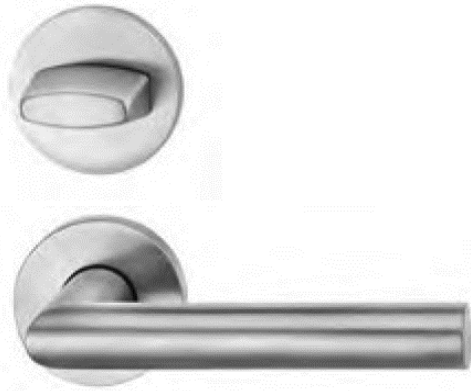


**Entry Lock with 55 mm / 2 3/16" Backset for Full Size Marine Doors and Weather Doors.
Minimum Door Style thickness: 90 mm / 3 3/4"**

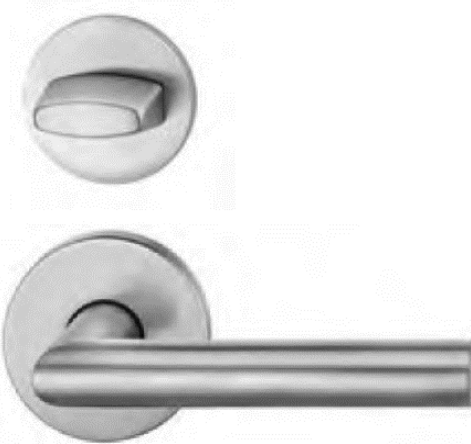
Escutcheon #12.1433 Convex Stainless Steel; Size 265 x 55 mm (10 1/2" X 2 3/16")
Lever #12.527; Mechanism #14.73Z; Keyway #1400 series



MARINE GRADE STAINLESS STEEL RIM SETS SEE CHAPTR ONE FOR DETAILS



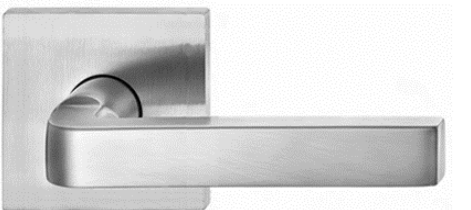
Rose #12.1110F Lever #12.576
Thumb-turn set #12.1735



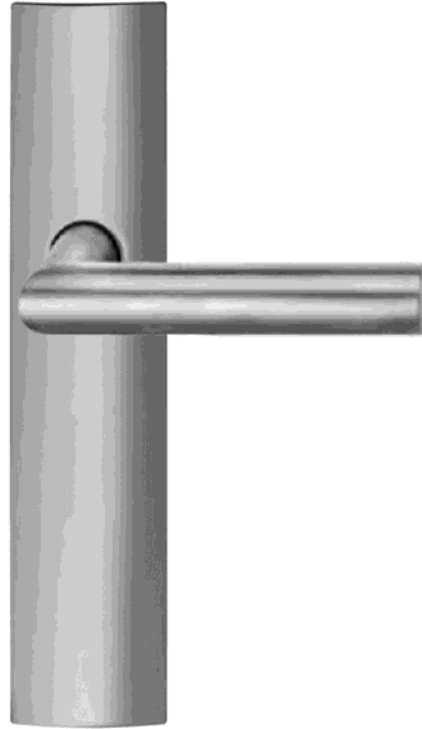
Rose 12.1798 Lever #12.567
Thumb-turn set #12.1735



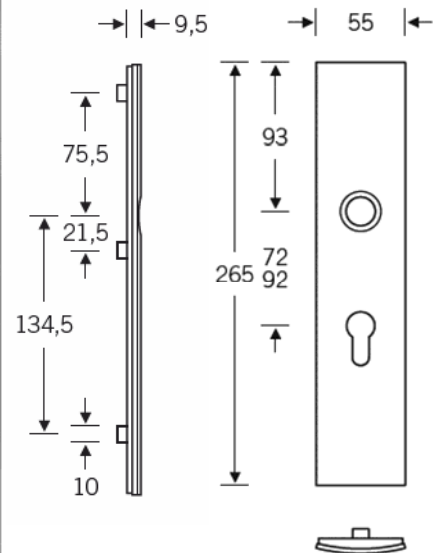
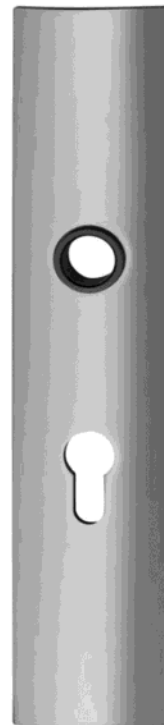
Rose 12.1703 Lever #12.1004



Rose 12.1705 Lever #12.1004



Escutcheon #12.1433 Convex Stainless Steel
Size 265 x 55 mm (10 1/2" X 2 3/16")
Lever #12.576



**See Catalog Chapter I Page for details
Satin and Mirror Polished Finish**

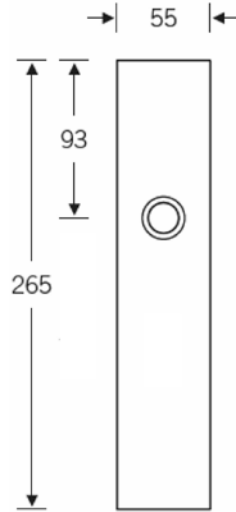


Izerwaren
Order
numbers

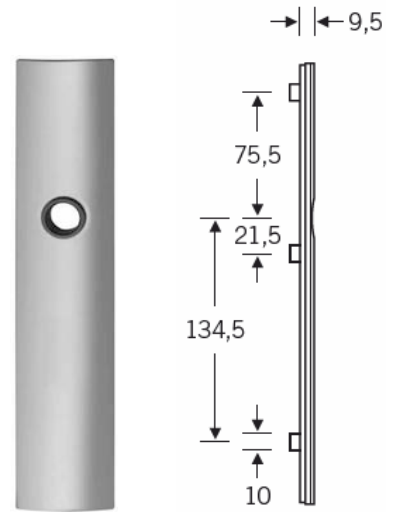
- Stainless Steel Escutcheons for marine locks
- Specify Finish:
- Satin stainless steel
- Mirror Polished stainless steel

12.1433F **Stainless steel escutcheon plate**

Passage model
Square corners, 265 x 55 x 9.5 mm
Clip on style with inner escutcheon
Screws invisible



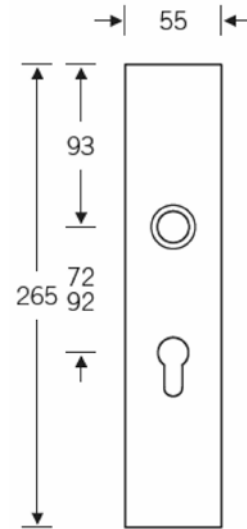
12.1433F



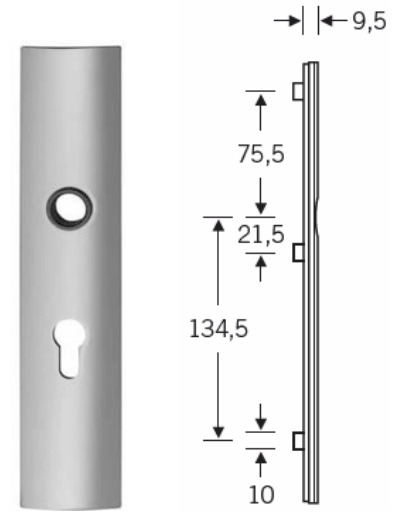
Clip on escutcheon # 12.1433F with inner plate
Square corners, 265 x 55 x 9.5 mm
10 1/2 x 2 3/16 x 3/8 inch
Stainless steel
Renovation Style

12.1433Z **Stainless steel escutcheon plate**

Entry Model
Square corners, 265 x 55 x 9.5 mm
Clip on style with inner escutcheon
Screws invisible



12.1433Z



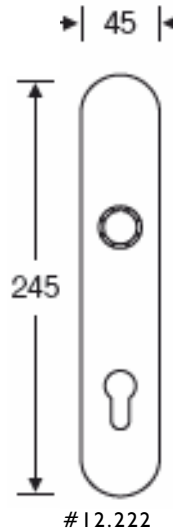
Clip on escutcheon # 12.1433Z with inner plate
Square corners, 265 x 55 x 9.5 mm
10 1/2 x 2 3/16 x 3/8 inch
Stainless steel; Renovation Style

12.1433W **Stainless steel escutcheon plate**

Privacy Model (not shown)
Square corners, 265 x 55 x 9.5 mm
Clip on style with inner escutcheon
Screws invisible

12.222 **Stainless steel escutcheon plate**
with round corners, 245 x 45 x 10 mm
Screws invisible

12.1410 **Stainless steel escutcheon plate**
with square corners, 245 x 45 x 10 mm
Screws invisible



12.222



#12.222 round #12.1410 square
Stainless steel with clip with inner plate

For Narrow Style Doors:
See pages I-9-I and I-14- and I-14-A
Cropped lever 12.021: See page I-1-2

All Lever Models: Page I-2



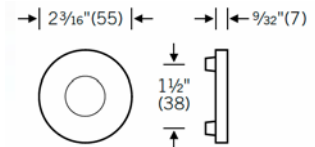
Order numbers

- Stainless Steel Roses for marine locks
- Specify Finish:
- Satin stainless steel or
- Mirror Polished stainless steel

12.1110F **Stainless steel rose,**
55 mm diameter or 2 3/16 inch
Clip on style with inner rose
For Levers. Screws invisible



#12.1110F Round Rose flat
55 mm diameter

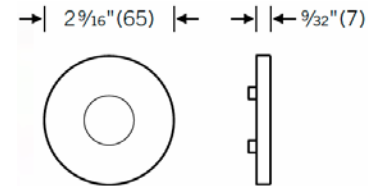


Stainless steel rose round,
55 mm or 2 3/16 inch diameter
Clip on style with inner rose
Screws invisible

12.1798 **Stainless steel rose, pair**
65 mm diameter or 2 9/16 inch
Clip on style with inner rose
For Levers. Screws invisible



#12.1798 Round Rose flat
65 mm diameter

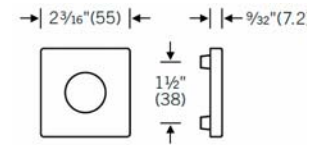


Stainless steel rose round,
55 mm or 2 9/16 inch diameter
Clip on style with inner rose
Screws invisible

12.1703 **Stainless steel rose square,**
55 x 55 mm or 2 3/16 inch
Clip on style with inner rose
For Levers. Screws invisible



#12.1703 Square rose flat
55 x 55 mm

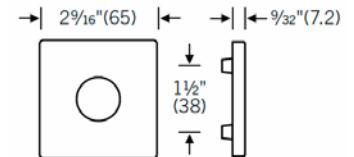


Stainless steel rose square, pair
55 x 55 mm or 2 9/16 inch
Clip on style with inner rose
Screws invisible

12.1705 **Stainless steel rose square,**
65 x 65 mm or 2 9/16 inch
Clip on style with inner rose
For Levers. Screws invisible



#12.1705 Square rose flat
65 x 65 mm

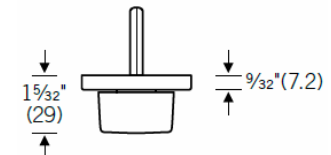


Stainless steel rose square, pair
65 x 65 mm or 2 9/16 inch
Clip on style with inner rose
Screws invisible

12.1735 **Stainless steel Privacy set,**
Thumb-turn with indicator with
55 mm or 2 3/16 inch diameter roses
Clip on style with inner rose
Screws invisible
12 1735 10054



#12.1735 Privacy set
Thumb-turn + indicator
With round roses flat 55 mm

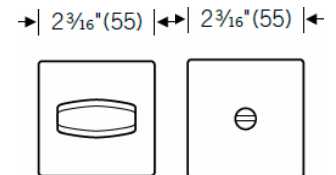


Privacy thumb-turn and indicator
With round roses 55 mm diam.

12.1736 **Stainless steel Privacy set,**
Thumb-turn with indicator with
55 x 55 mm or 2 3/16 x 2 3/16 inch square
roses; Clip on style with inner rose
Screws invisible
12 1704 0054



#12.1736 Privacy set
Thumb-turn + indicator
With square roses flat 55 x 55 mm

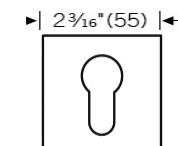


#12.1736 Privacy set
With square roses flat 55 x 55 mm

12.1704 **Stainless steel Key rose,**
55 x 55 mm or 2 3/16 x 2 3/16 inch square
roses for profile cylinder;
Clip on style with inner rose
Screws invisible
17 1703 00210



#12.1704 Key rose square flat
55 x 55 mm



#12.1704 Key rose square flat
55 x 55 mm



Izerwaren
Order
numbers

- Stainless Steel Roses for marine locks
- Specify Finish:
- Satin stainless steel or
- Mirror Polished stainless steel



Lever # 12.1183; Rose # 12.1703



12.1723 # 12.173115 SET
→ | 2 3/16" (55) | ← → | | ← 9/32" (7) |

12.173114 **Stainless steel rose, Passage set**
55 mm diameter or 2 3/16 inch
Clip on style with inner rose
For Tubular latch & Levers
Screws invisible



12.173114 Rose for tubular latch set
55 mm diameter

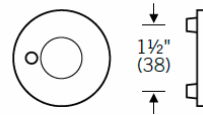


12.173114 Rose for tubular latch
→ | 2 3/16" (55) | ← → | | ← 9/32" (7) |

12.173115 **Stainless steel rose, Privacy set**
55 mm diameter or 2 3/16 inch
Clip on style with inner rose
For Tubular latch & Levers
Screws invisible



12.173115 Rose for tubular privacy set
55 mm diameter

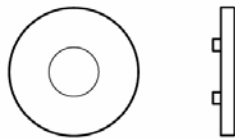


12.173115 Rose for tubular privacy latch
55 mm diameter
→ | 2 3/16" (55) | ← → | | ← 9/32" (7) |

12.179814 **Stainless steel rose, Passage set**
65 mm diameter or 2 9/16 inch
Clip on style with inner rose
For Tubular latch & Levers
Screws invisible



12.179814 Rose for tubular latch
65 mm diameter

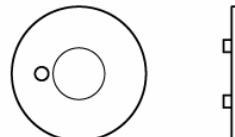


12.179814 Rose for tubular latch
65 mm diameter
→ | 2 9/16" (65) | ← → | | ← 9/32" (7) |

12.179815 **Stainless steel rose, Privacy set**
65 mm diameter or 2 9/16 inch
Clip on style with inner rose
For Tubular latch & Levers
Screws invisible



12.179815 Rose for tubular latch
65 mm diameter

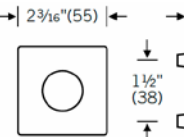


12.179815 Rose for tubular privacy latch
65 mm diameter

12.1703 **Square Rose for Passage latch,**
55 x 55 mm or 2 3/16 inch
Clip on style with inner rose
For Tubular latch and Levers
Screws invisible



12.1703 Square rose for tubular latch
55 x 55 mm

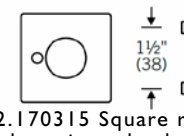


12.1703 Square rose for tubular latch
55 x 55 mm
→ | 2 3/16" (55) | ← → | | ← 9/32" (7.2) |

12.170315 **Square Rose for Privacy latch,**
55 x 55 mm or 2 3/16 inch
Clip on style with inner rose
For Tubular latch and Levers
Screws invisible



12.170315 Square rose for tubular privacy latch; 55 x 55 mm

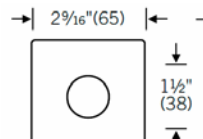


12.170315 Square rose for tubular privacy latch; 55 x 55 mm

12.1705 **Square rose for passage latch,**
65 x 65 mm or 2 9/16 inch
Clip on style with inner rose
For Tubular Latch and Levers
Screws invisible



12.1705 Square rose
for tubular latch ; 65 x 65 mm

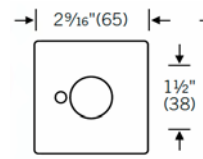


12.1705 Square rose for tubular latch
65 x 65 mm

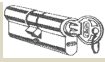
12.170515 **Square rose for privacy set,**
Thumb-turn with indicator with
55 mm or 2 3/16 inch diameter roses
Clip on style with inner rose
Screws invisible



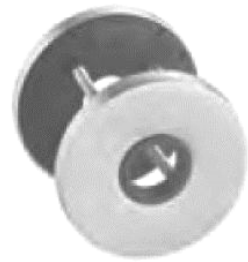
12.170515 Square rose
for privacy latch; 65 x 65 mm



12.170515 Square rose for tubular latch
65 x 65 mm



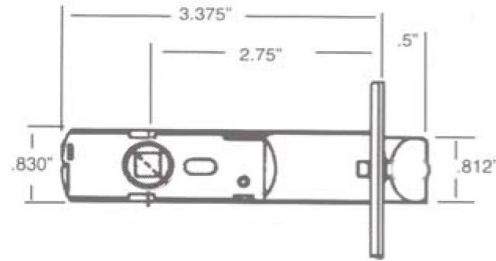
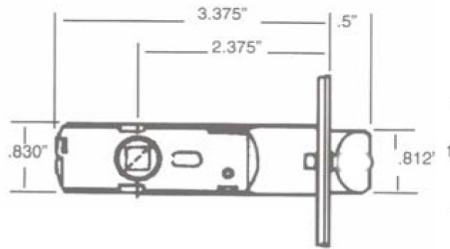
IZERWAREN
Order
numbers



Passage bolt with standard strike
60 mm or 2 3/8 inch backset
70 mm or 2 3/4 inch backset

roses #12.173114

12.723238
12.723234



Tubular passage and privacy latch 2 3/8 inch backset

2 3/4 inch backset



Privacy bolt with strike ; pin operated.
60 mm backset or 2 3/8 inch
70 mm backset or 2 3/4 inch

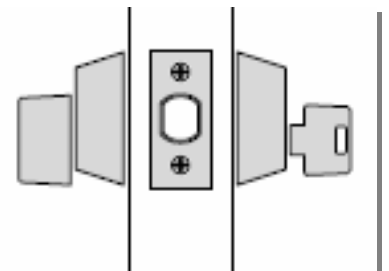
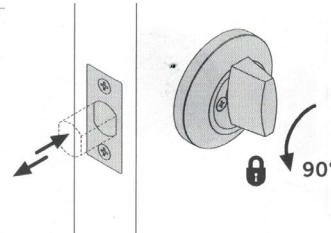
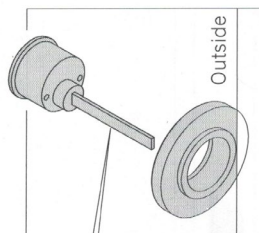
roses #12.173115

12.724238
12.724234

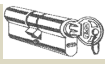


Privacy Bolt; 2 3/8" backset #12.1704 Privacy set square roses #12.1735 Privacy set round roses
with strike box; Roses 55 x 55 mm or 65 x 65 mm see page 1-2-2

12.725238 Dead Bolt 2 3/4" backset with strike box
12.725234 Dead bolt 2 3/8" backset with strike box;



12.238134 #12.238134 Deadbolt with 2 3/8" backset. For standard Key/Thumb-turn setup.



Izerwaren
Order
numbers

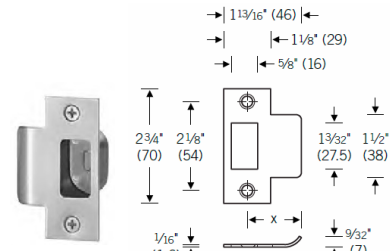
- Tubular latch sets; steel parts Interior Grade
- Satin stainless steel
- Mirror Polished stainless steel



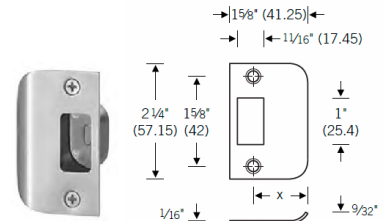
12.723238 Passage bolt with standard strike Sample roses #12.173114
 HLL 7230 6204 238 60 mm backset or 2 3/8 inch
 12.723234 HLL 7230 6204 234 70 mm backset or 2 3/4 inch



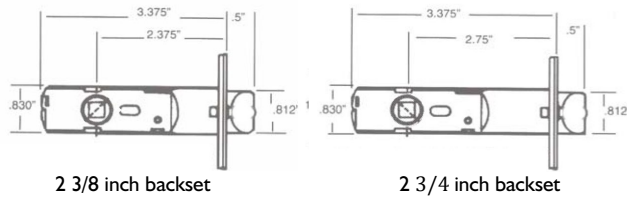
12.724238 Privacy bolt with strike ; pin operated. Sample roses #12.173115
 HLL 7240 6204 238 60 mm backset or 2 3/8 inch
 12.724234 HLL 7240 6204 234 70 mm backset or 2 3/4 inch



Strike plate #12.1001 stainless steel



Strike plat #12.1003 stainless steel



2 3/8 inch backset

2 3/4 inch backset



12.725238 Dead Bolt 2 3/8" backset with strike box; #12.1704 Privacy set
 square roses
 12.725234 Dead Bolt 2 3/4" backset with strike box



12.725238 Dead bolt 2 3/8 backset with strike box; #12.1735 Privacy set
 round roses
 12.725234 Dead Bolt 2 3/4 inch backset with strike bolt

HDD 7240 6204 238 60 mm backset or 2 3/8 inch
 HDD 7240 6204 234 70 mm backset or 2 3/4 inch

Function R = one sided - thumb turn only - please specify
 Function S = both sided thumb turn indicator - please specify



#13.3295RS thumb-turn only with square rose
 #13.3296RS indicator only with square rose



#13.3293RF thumb-turn only with round rose
 #13.3294RF indicator only with round rose



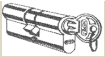
Privacy bolt #12.725238 & Thumb-turn set #12.1704
 Passage latch #12.723238
 With rose pair #12.1703 and Lever pair #12.1251
 Satin Stainless Steel Finish



Privacy bolt #12.725238 & Thumb-turn set #12.1735
 Lever #12.1183; Rose #12.173114
 Satin Chrome finish



#12.42311 dummy bolt with blank faceplate;
 for bore hole 3/4 inch hole and 8x8 mm spindle
 One side mounting possible
 Both sides mounting possible
 05 0423 00110



DUMMY SETS



#12.42311 dummy SET with separate face plate (not shown) roses and lever #12.045

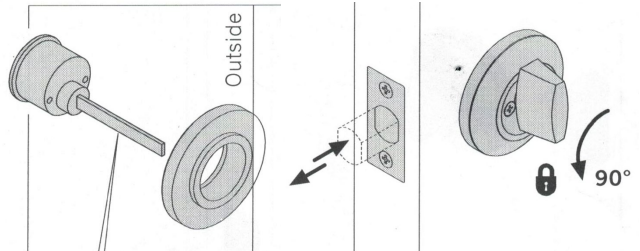
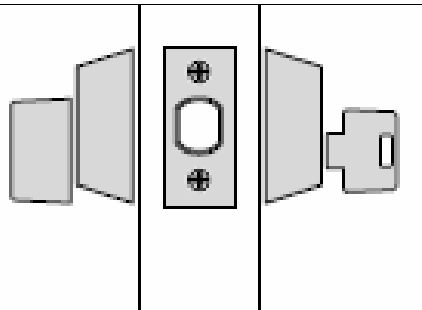


#12.42315 DUMMY SET WITH SQUARE OR ROUND 65 MM ROSES, LEVERS
#12.42313 DUMMY SET WITH SQUARE OR ROUND 55 MM ROSES, LEVERS



#12.42314 SET: DUMMY WITH ESCUTCHEON #12.1410 245X45 MM

KEYWAY/THUMBTURN SET

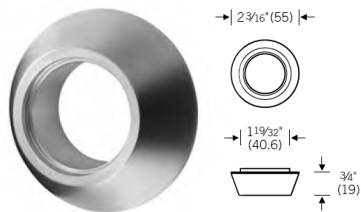


DEADBOLT WITH SCHLAGE KEYWAY #12.238134 BACKSET 2 3/8" FUNCTION KEY/ KNOB

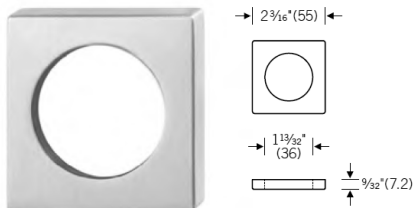
ROSES FOR KEYWAY

DA

03 0450 09011 ■■
2 3/16" (55 mm) x 3/4" (19 mm)

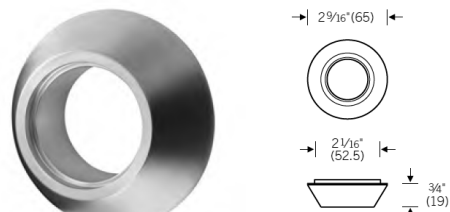


17 1704 12601 ■■

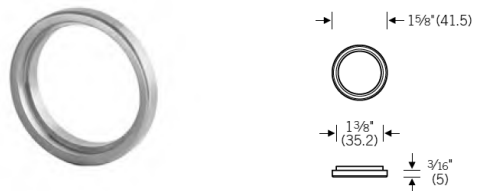


DD

03 0450 09010 ■■
2 3/16" (65 mm) x 3/4" (19 mm)



03 0450 09013 ■■
1 3/8" (35 mm) x 3/16" (5 mm)

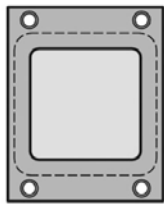




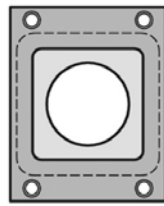
Pocket door locks for door thickness 1 3/8" and up



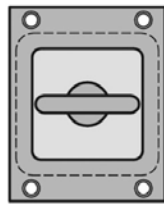
#13.FE2348T
Size: Outside: 2 13/16" x 2 1/4" x 11/32"



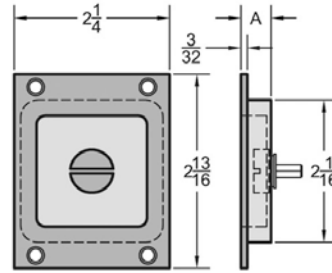
#13.FE2348B



#13.2348C



#13.FE2348T



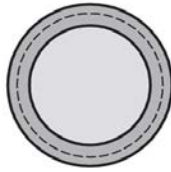
#13.FE2348E
A = 11/32"



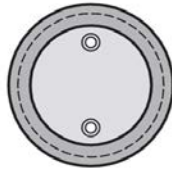
Trim set
Flush square plate #13.SBT
Mechanism+ edge pull #13.002
Satin nickel



#13.R161T
Size: Outside: 2 3/8" diameter. Drill Hole: 2 1/8"



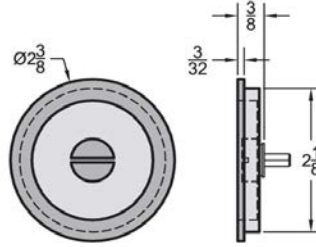
#13.R161B (pair)



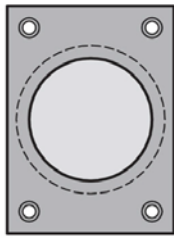
#13.R161T



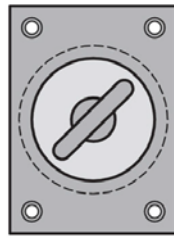
#13.R161E



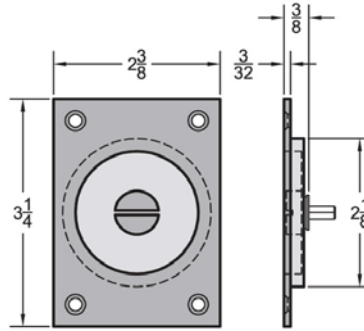
#13.S161T
Size: Outside: 3 1/4" x 2 3/8". Drill Hole: 2 1/8"



#13.S161B (pair)



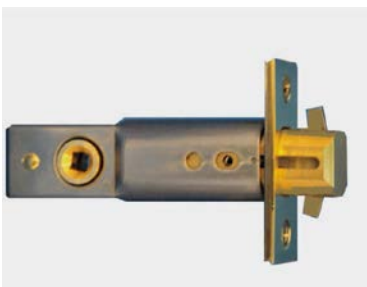
#13.S161T



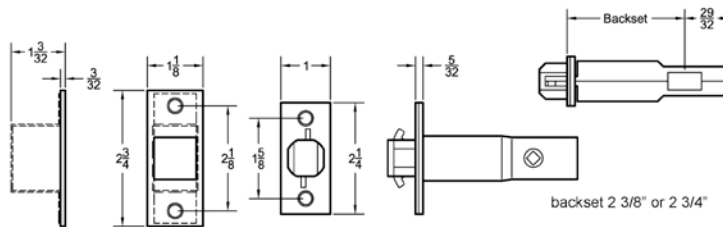
#13.S161E



Trim set
Flush Round plate #13.161E
Mechanism+ edge pull #13.002
Satin nickel



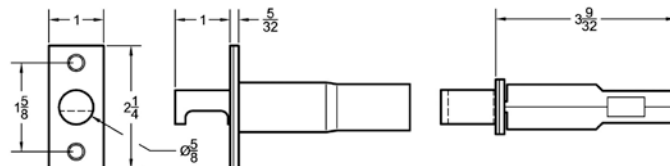
Hook Mechanism for pocket doors #13.161PDL
Specify backset: 2 3/4" or 2 3/8" Specify finish.



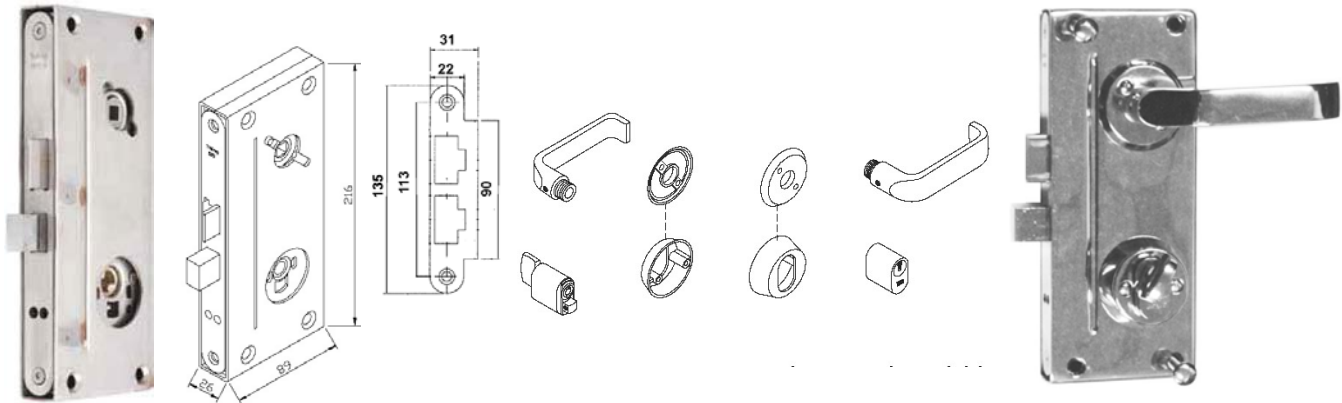
Trim set
Flush Round plate #13.161E
Mechanism #13.161PDL
Satin brass



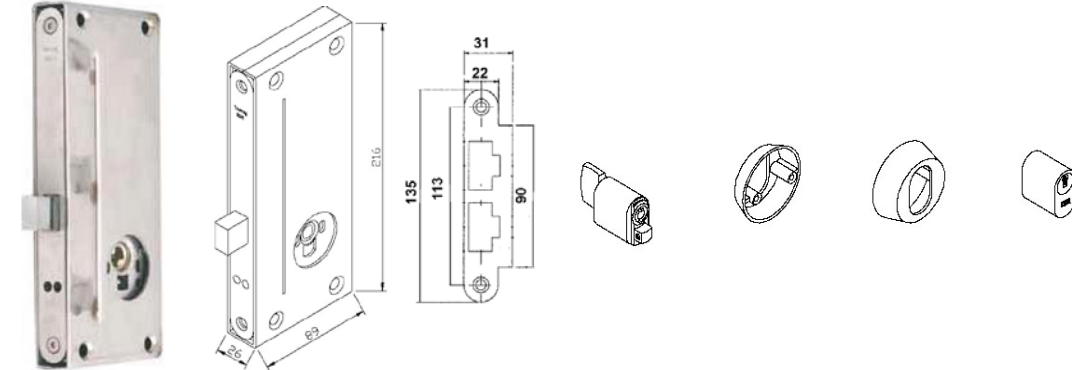
Edge pull Mechanism for pocket doors #13.161PDP
Case: 1" diameter; Pull 5/8" diameter; spring loaded. Specify finish.



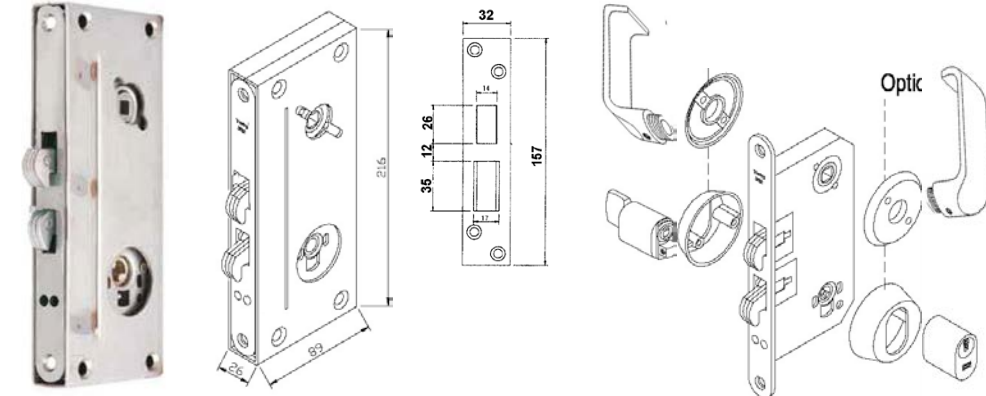
Trim set
Flush Round plate #13.161T
Mechanism #13.161PDL
Satin brass



#11.EBET01; Complete SET Rim Mounted Box Lock. Lock and Box Stainless steel. Roses and Levers Chrome Plated Brass.



#11.BDRT01. Complete SET Rim Mounted Box Lock. Lock and Box Stainless steel. Roses and Keyway Chrome Plated Brass.



#11.SBET01; Complete SET Rim Mounted Sliding Box Lock. Lock and Box Stainless steel. Roses and Keyway Chrome Plated Brass.

MORTISE LOCKS AND LOCK BOX CASE PARTS SEPARATE



#11.390 box only



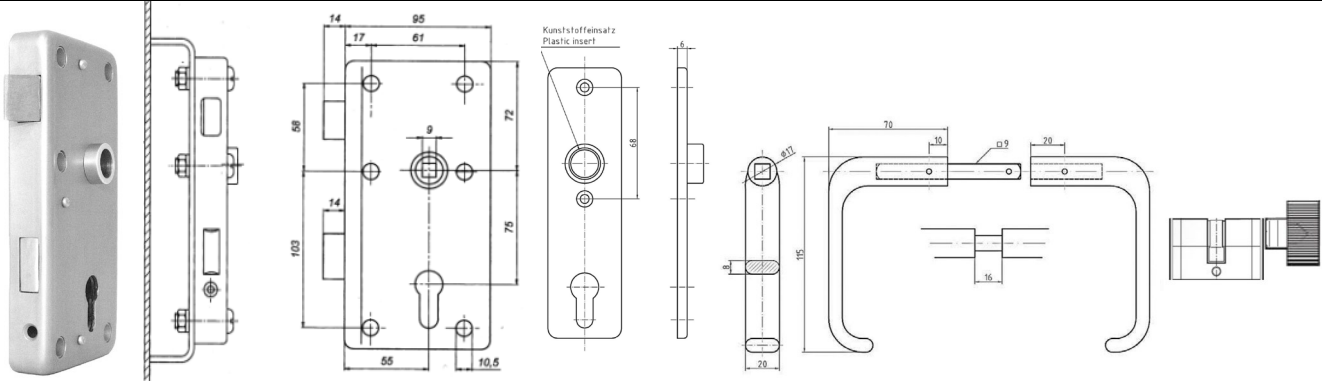
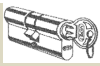
#11.312 entry lock



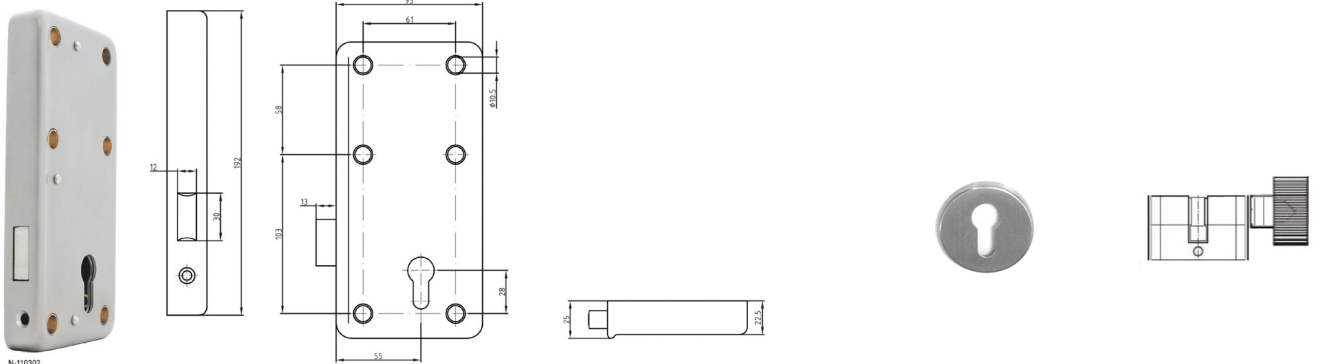
#11.382 sliding entry lock



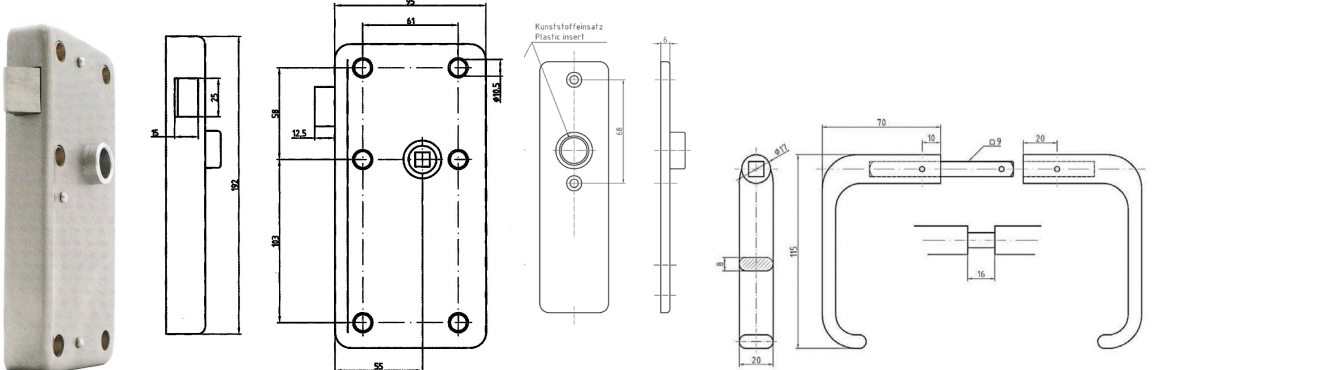
#11.341 dead bolt lock



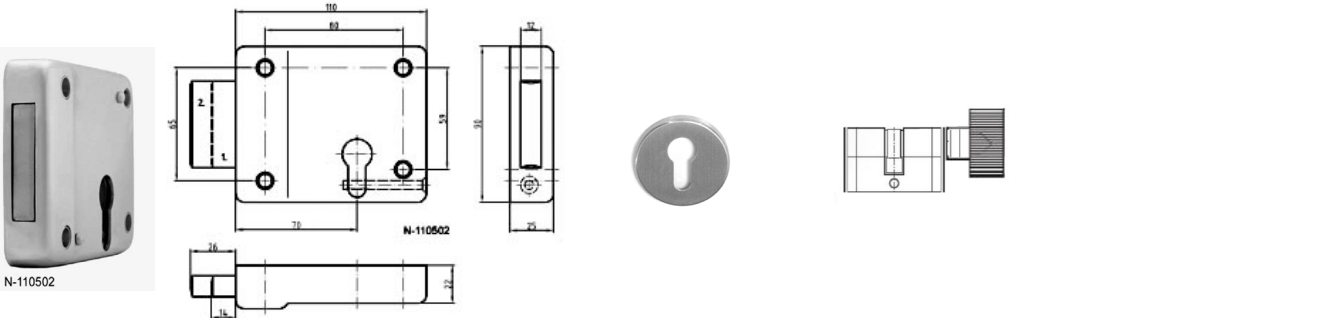
#13.27CZ Entry rim lock set complete; backset 55 mm



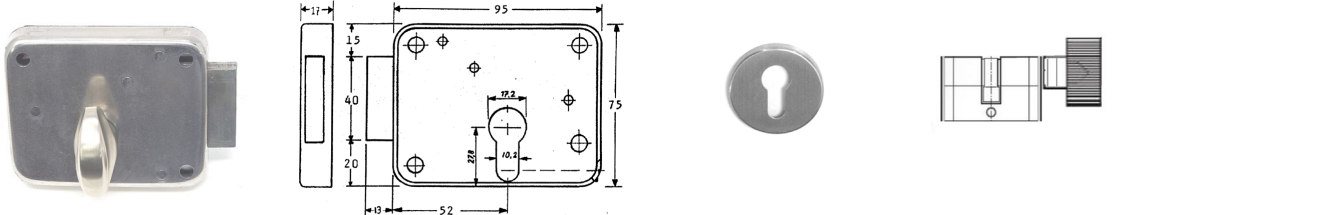
#13.27SZ Deadbolt rim lock set complete; backset 55 mm Convert this deadbolt rim lock with insert #22.755 to privacy function



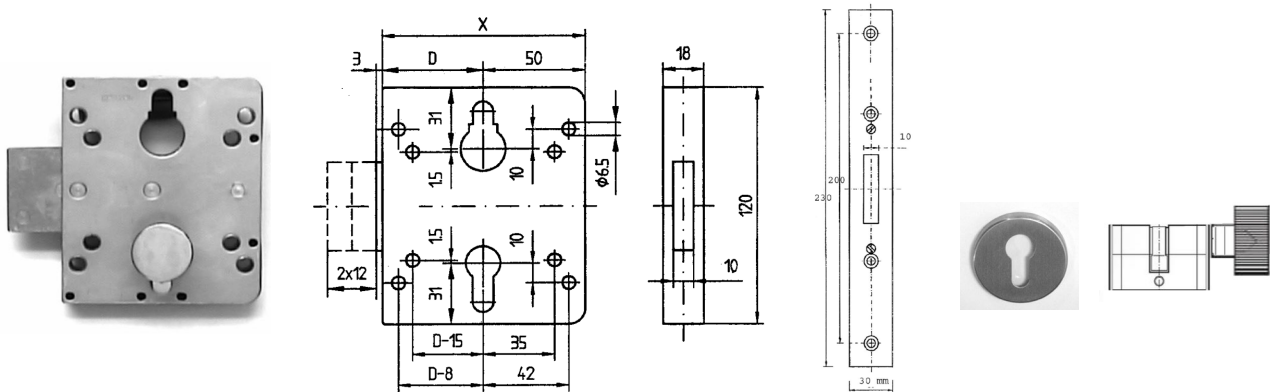
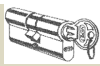
#13.27SF SET Passage rim latch complete; backset 55 mm



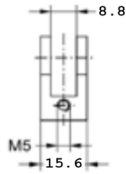
#11.50IS SET Deadbolt rim lock complete; Backset 75 mm 2 Throws: 14 mm + 12 mm = 26 mm Converts to Privacy Function



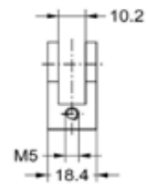
Rim lock #13.31SZ; SET Deadbolt rim lock complete. Backset 52 mm (2 inch). Shown with Privacy thumb-turn and insert #22.7000



Dead bolt lock #13.20Z. Backset: 50 mm. Backset available: 50, 60, 80, 100 mm; case 100 mm x 120 mm high. Double throw: 2 x 12 mm; 24 mm total. 304 stainless steel (front plate 230x30 optional, not included)

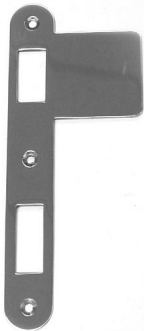


#22.7000 Profile Cylinder Insert

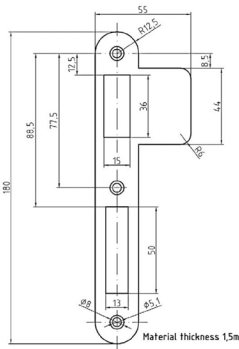


22.755 Profile Cylinder insert for double throw

Replaces profile cylinder keyway with thumb-turn

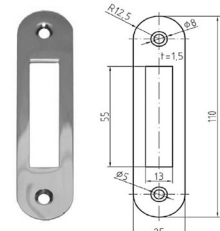


#14.231P

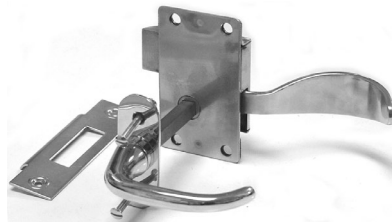


#14.626P

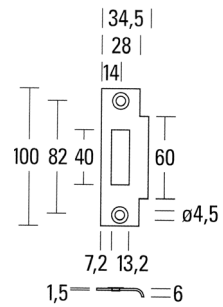
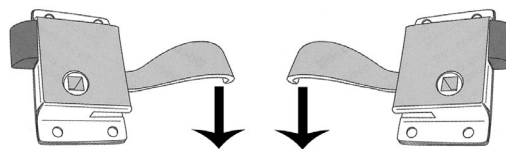
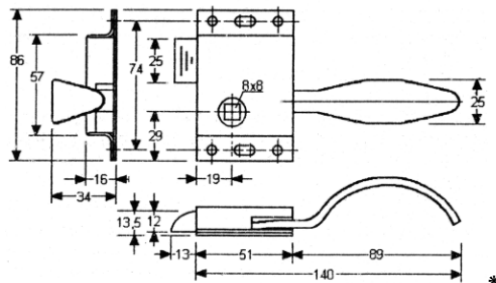
Please order strikes separate, not included in sets



#13.230 strike plate



#15.255 R or L Single side or double side operating: Picture: Set with lever #18.740 with oval rose #18.087 and strike #43.142.

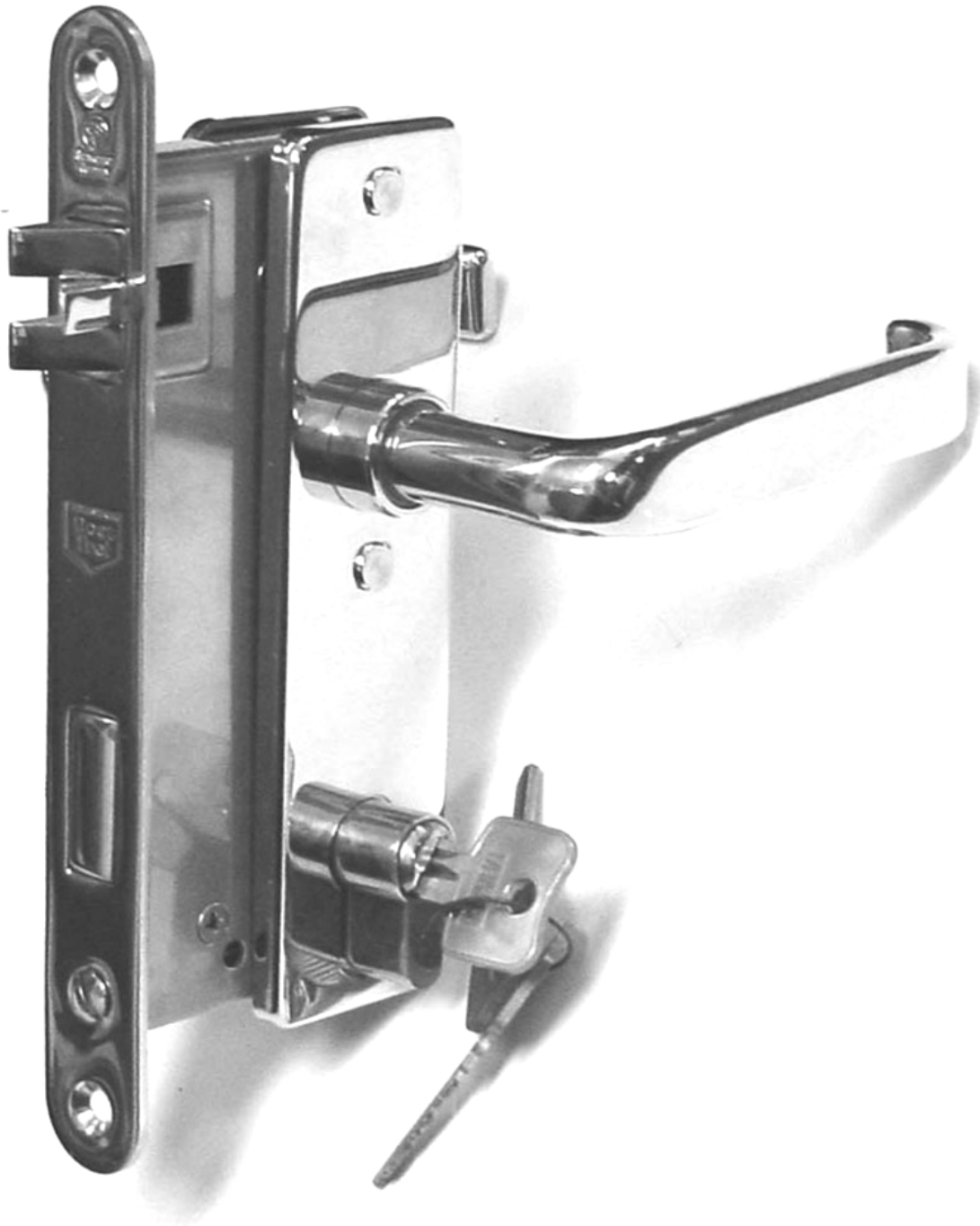
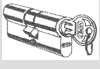


#15.255L Rim latch; Left Hand showing

Left Hand

Right Hand

#43.142 strike plate



#14.73Z5
Complete Entry set with Profile Cylinder
depicted in polished stainless-steel finish



GSV AND S&B COMPLETE MARINE LOCKSETS

Izerwaren
Order
numbers

- With backset 55 mm - 2 3/16"
- Minimum door thickness 32 mm - 1 1/4"
- Finish: Satin or polished stainless steel

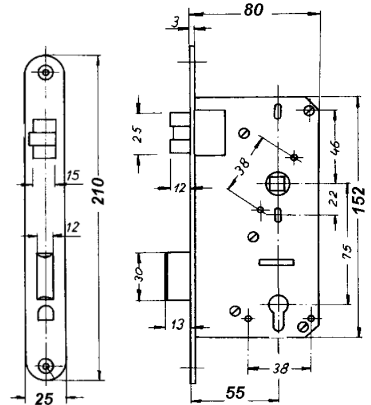
14.73Z5 **Complete Entry Set Stainless steel**
Details page 1-4-A

14.73Z **Entry Mortise Lock separate**
For 9x9 mm spindle /door lever handles
Use with profile cylinder key/key or key/knob
Details page 1-4-B

14.231 **Strike plate stainless steel**



14.73Z5 SET Entry mortise lock
55 mm backset stainless steel



14.73Z Stainless steel entry lock

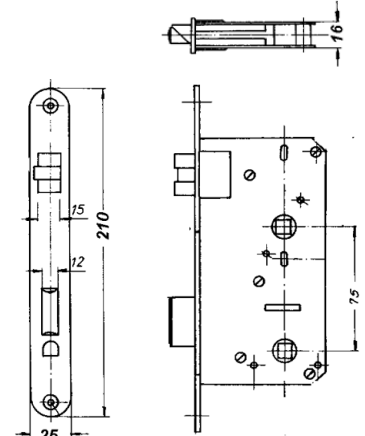
14.73W5 **Complete Privacy Set Stainless Steel**
Details page 1-4-A

14.73W **Privacy Mortise Lock separate**
9 x 9 mm spindle for lever handles
7 x 7 mm spindle for thumb-turn
Details page 1-4-F

14.231 **Strike plate stainless steel**



P# 14.73W5 SET Privacy mortise lock
55 mm backset

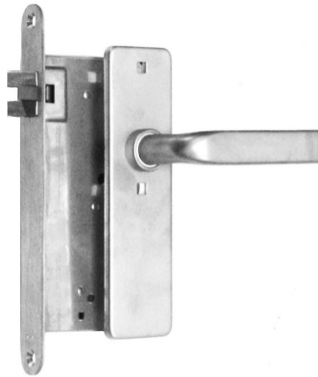


14.73W5 SET Stainless steel privacy lock

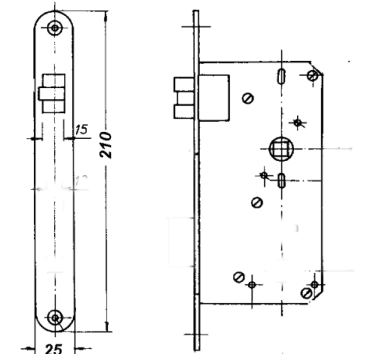
14.73F5 **Complete Passage Set Stainless steel**

14.73F **Passage lock separate**
9 x 9 mm spindle for lever handles
Details page 1-4-D

14.626 **Strike plate stainless steel**



14.73F5 SET Passage Lock
55 mm backset



14.73F5 SET Stainless steel mortise Latch

13.81Z5 **Complete Sliding Door Set**
Door thickness minimum: 1 3/4"
Plate protrudes 1/4" from door on each side
Total width plate: 2"

13.81Z **Sliding door lock separate**
9 x 9 mm spindle for lever handles
Details page 1-4-B; and 1-13

05.400 **Profile cylinder #1400 series:**

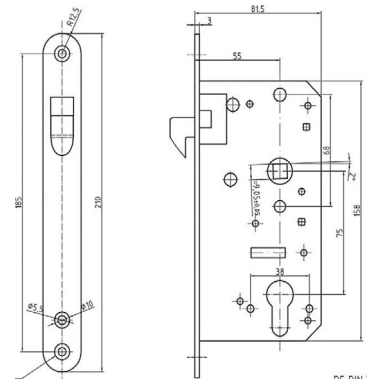


Key/key or key/knob or knob/indicator
Specify door thickness and function cylinder
See for functions cylinders: Details page 0-5

14.999 **Lever handles stainless steel**
105 x 47 mm Details: Page 1-4-J



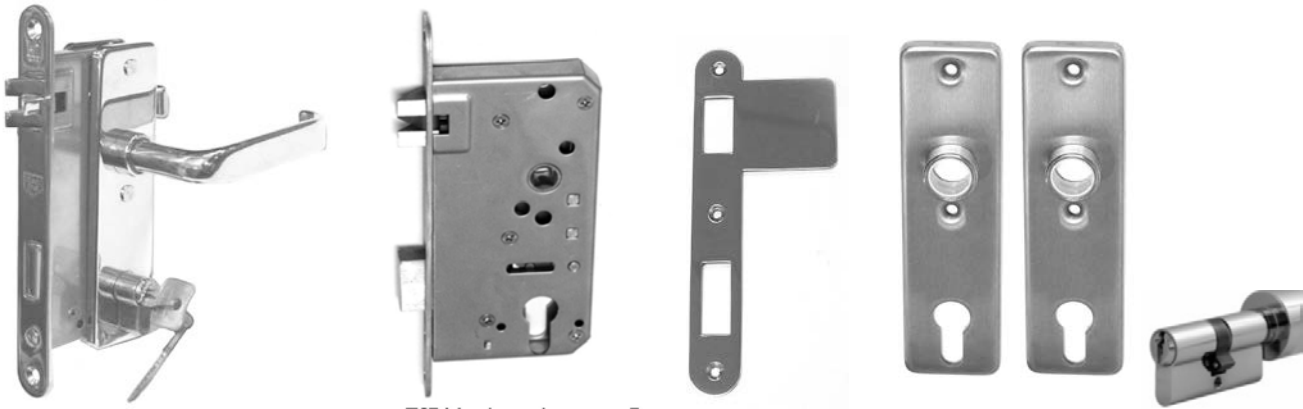
13.81Z5 SET Sliding door lock
55 mm backset
Lever 14.999 with plate 14.129



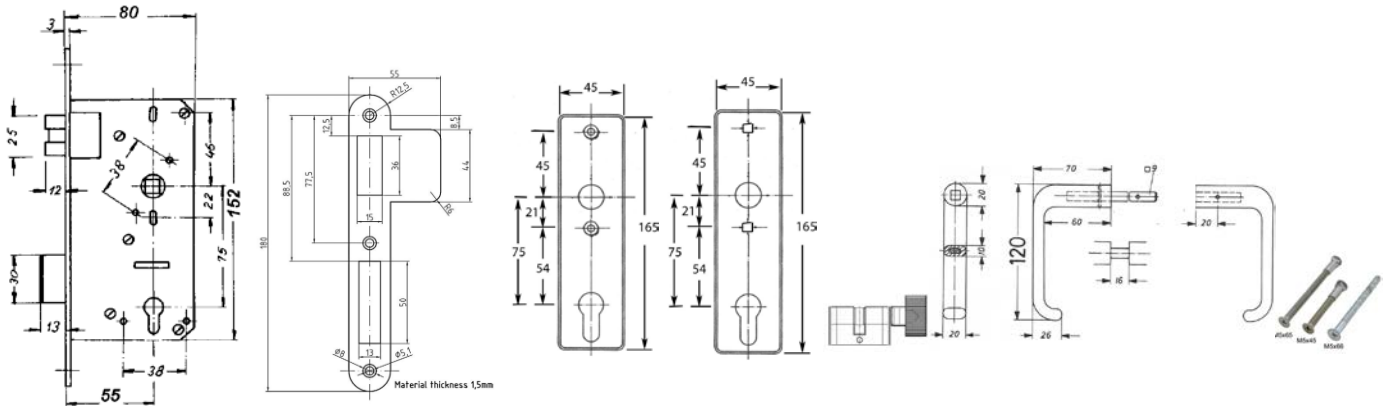
14.81Z5 SET
Brass chrome plated sliding lock
Details see page 1-4-B and 1-13

14.129.308 **Escutcheon plates, stainless steel**
165 x 45 mm Details: Page 1-4-I

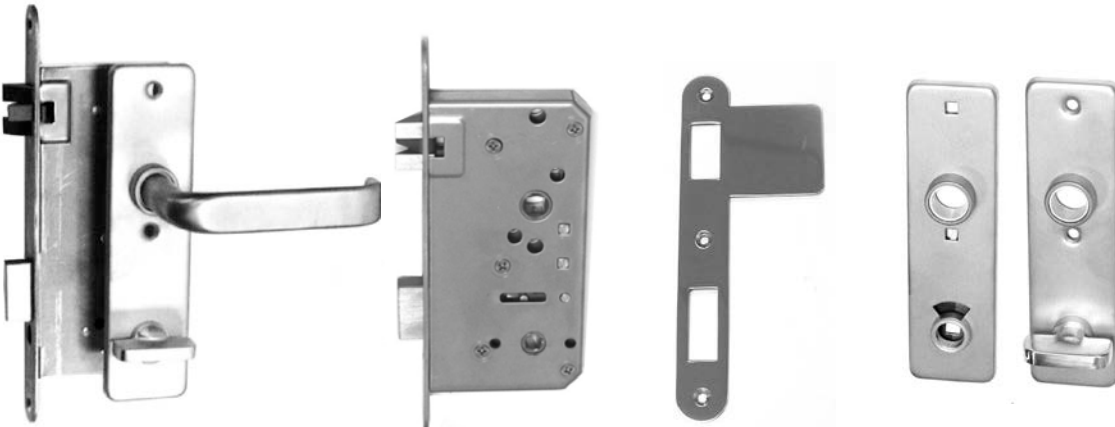
UPGRADE TO IZERWAREN MEGA YACHT TRIM - SEE PAGE 1-4-N; 1-4-P



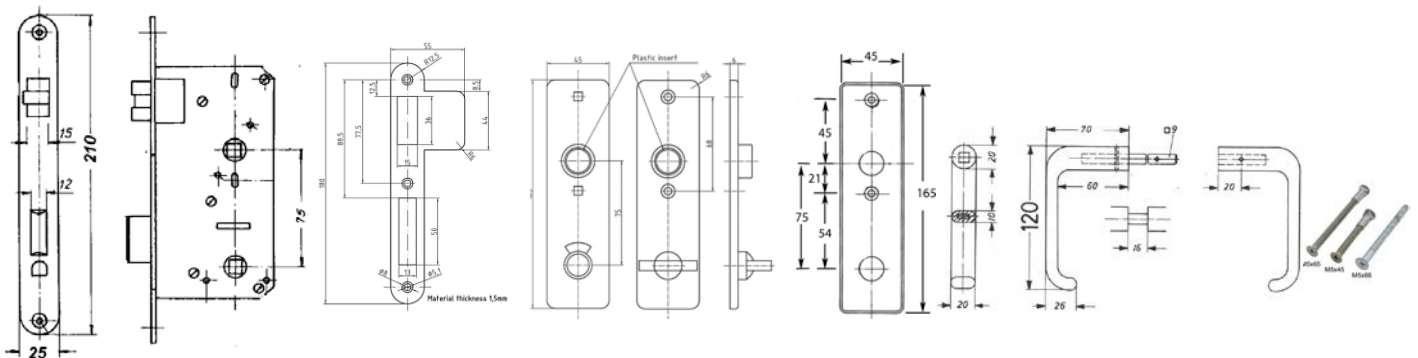
#14.73Z5 SET Stainless steel entry mortise lock and trim



#14.73Z5 SET Stainless steel entry mortise lock and trim. Satin Stainless steel.


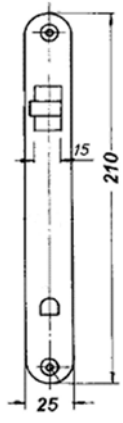
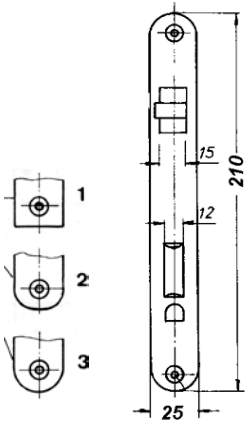
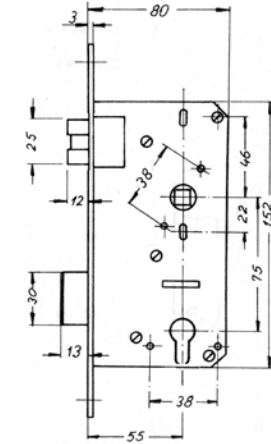

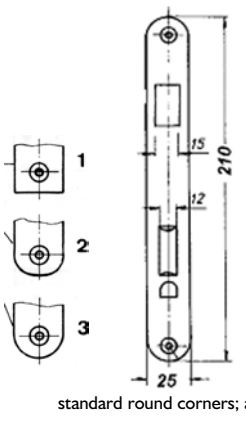
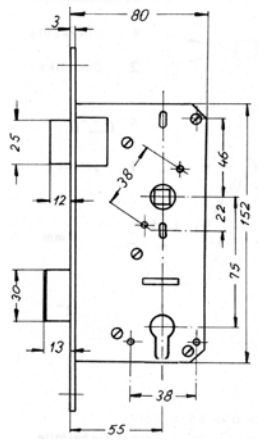
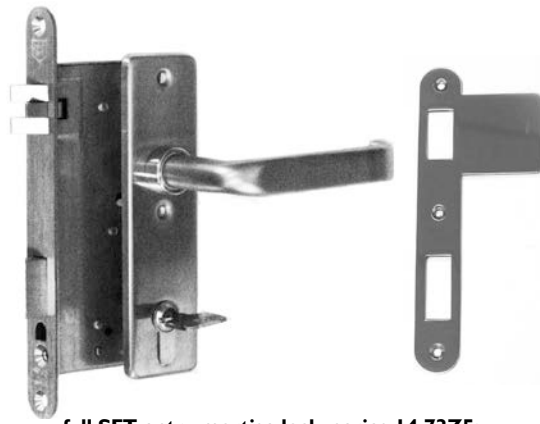
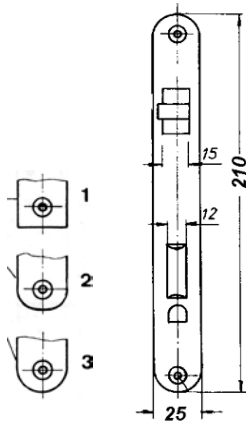
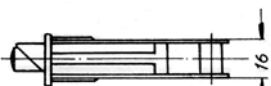


#14.73W5 SET Stainless steel privacy mortise lock and trim. Satin stainless steel.


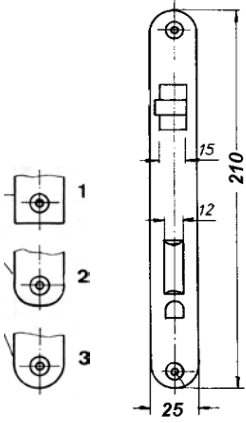
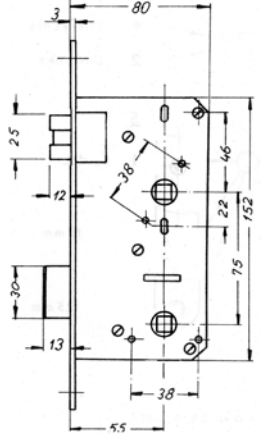

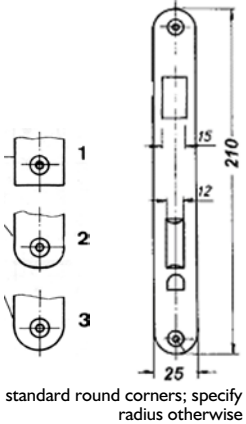
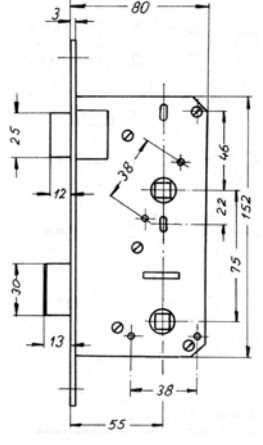
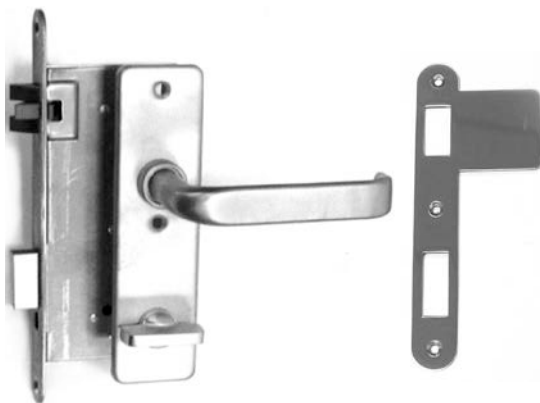
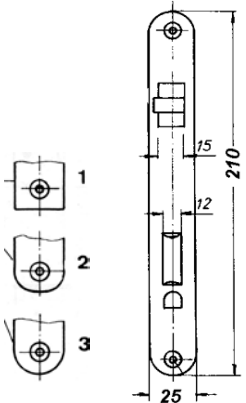
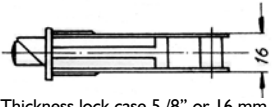


#14.73W5 SET Stainless steel privacy mortise lock and trim. Satin stainless steel.


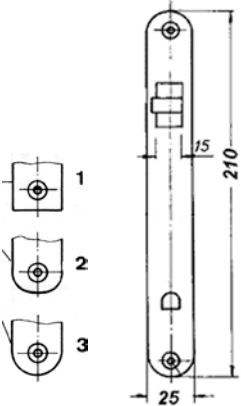
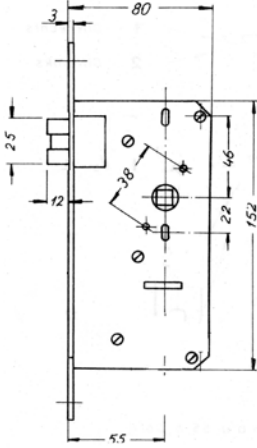

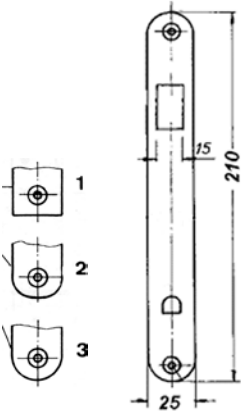
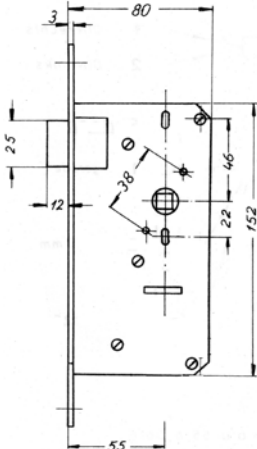
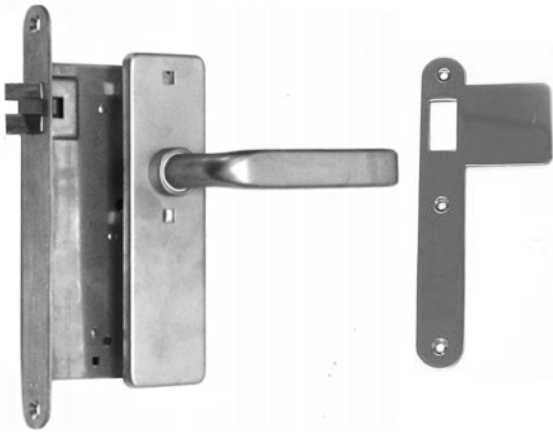
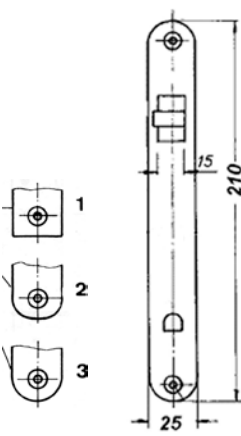
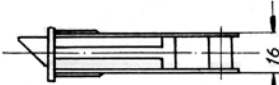


Order number	Material	Back set	Specifics	Finish
 <p>Entry mortise series 14.73Z: triple latch bolt. for use with Profile Cylinder keyway</p>	<p>Triple latch bolts for easy closing of doors in interior spaces.</p>		 <p>standard round corners; specify square or 3/8" radius otherwise</p>	
#14.73Z	Stainless Steel	55 mm	Entry Lock, key way separate	satin stainless steel
#14.73Z1	Stainless Steel	55 mm	Entry Lock, key way separate	polished stainless steel
#14.73Z2	brass	55 mm	Entry Lock, key way separate	brass not lacquered
 <p>Entry mortise series 14.73SZ: Solid latch bolt. for use with profile cylinder keyway</p>	<p>Solid latch bolt for use with: Extra heavy doors Doors with Gaskets Fire rated doors Weather doors.</p>		 <p>standard round corners; as in "3"</p>	
#14.73SZ	Stainless Steel	55 mm	Entry Lock, key way separate	satin stainless steel
#14.73SZ1	Stainless Steel	55 mm	Entry Lock, key way separate	polished stainless steel
 <p>full SET entry mortise lock, series 14.73Z5: with triple latch bolt</p>			 <p>standard round corners; as in "3"</p>	 <p>Thickness lock case 5/8" or 15 mm</p>
#14.73Z5 set	Stainless Steel	55 mm	Full set	satin stainless steel
#14.73Z6 set	Stainless Steel	55 mm	Full set	polished stainless steel


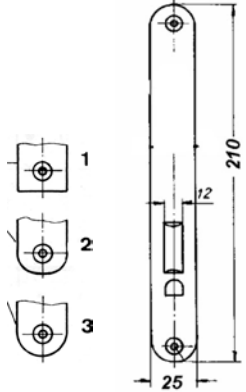

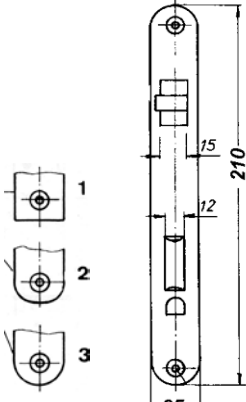
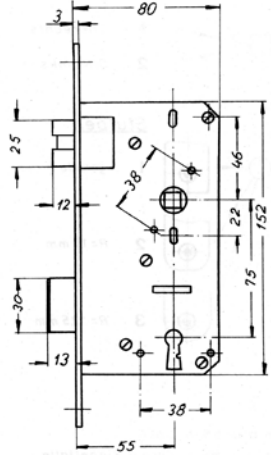

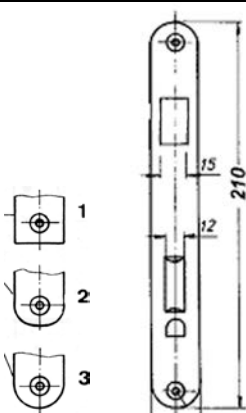
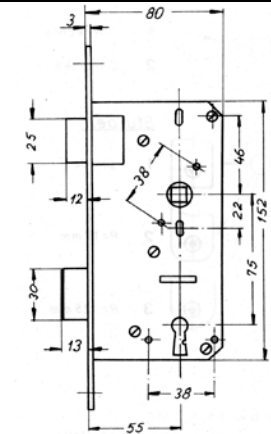


Order number	Material	Back set	Specifics	Finish
 <p>Privacy mortise locks series 14.73W: with triple latch bolt</p>	<p>Triple latch bolts for easy closing of doors in interior spaces.</p>		 <p>standard round corners; specify square or 3/8" radius otherwise</p>	
# 14.73W	Stainless Steel	55 mm	Mortise only	satin stainless steel
# 14.73W1	Stainless Steel	55 mm	Mortise only	polished stainless steel
# 14.73W2	brass	55 mm	Mortise only	brass not lacquered
 <p>Privacy mortise locks series 14.73W: with solid latch bolt</p>	<p>Solid latch bolt for use with: Extra heavy doors Doors with Gaskets Fire rated doors Weather doors.</p>		 <p>standard round corners; specify square or 3/8" radius otherwise</p>	
# 14.73SW	Stainless Steel	55 mm	Mortise only	satin stainless steel
# 14.73SW1	Stainless Steel	55 mm	Mortise only	polished stainless steel
 <p>full SET privacy mortise lock, series 14.73W5: triple latch</p>			 <p>standard round corners; specify square or 3/8" radius otherwise</p>	 <p>Thickness lock case 5/8" or 16 mm</p>
# 14.73W5 SET	Stainless Steel	55 mm	Full set	satin stainless steel
# 14.73W6 SET	Stainless Steel	55 mm	Full set	polished stainless steel



Order number	Material	Back set	Specifics	Finish
 <p>Passage mortise latch series 14.73F: with triple latch bolt</p>	<p>Triple latch bolts for easy closing of doors in interior spaces.</p>		 <p>standard round corners; specify square or 3/8" radius otherwise</p>	
# 14.73F	Stainless Steel	55 mm	Mortise only	satin stainless steel
# 14.73F1	Stainless Steel	55 mm	Mortise only	polished stainless steel
# 14.73F2	brass	55 mm	Mortise only	brass not lacquered
 <p>Passage mortise latch series 14.73SF: with triple latch bolt</p>	<p>Solid latch bolt for use with: Extra heavy doors Doors with Gaskets Fire rated doors Weather doors.</p>		 <p>standard round corners; specify square or 3/8" radius otherwise</p>	
# 14.73SF	Stainless Steel	55 mm	Mortise only	satin stainless steel
# 14.73SF1	Stainless Steel	55 mm	Mortise only	polished stainless steel
 <p>Full set passage mortise latch; series 14.73F5 with triple latch</p>			 <p>standard round corners; specify square or 3/8" radius otherwise</p>	 <p>Thickness lock case 5/8" or 16 mm</p>
# 14.73F5 SET	Stainless Steel	55 mm	Full set	satin stainless steel
# 14.73F6 SET	Stainless Steel	55 mm	Full set	polished stainless steel



Order number	Material	Back set	Specifics	Finish
 <p data-bbox="116 573 341 611">Dead Bolt mortise lock series 14.73R for Profile Cylinder</p>			 <p data-bbox="885 569 1226 611">standard round corners; specify square or 3/8" radius otherwise</p>	<p data-bbox="1274 199 1534 262">Similar to other locks from this series</p>
#14.73R	Stainless Steel	55 mm	Mortise only	satin stainless steel
#14.73R1	Stainless Steel	55 mm	Mortise only	polished stainless steel
 <p data-bbox="89 1102 332 1157">Entry mortise lock series for skeleton keys, 14.730: with triple latch bolt</p>			 <p data-bbox="901 1108 1209 1157">standard round corners; specify square or 3/8" radius otherwise</p>	
#14.730	stainless steel	55 mm	Mortise only	satin stainless steel
#14.7301	stainless steel	55 mm	Mortise only	polished stainless steel
 <p data-bbox="89 1638 332 1692">Entry mortise lock series for skeleton keys, 14.7350: with solid latch bolt</p>	satin stainless steel		 <p data-bbox="901 1665 1209 1713">standard round corners; specify square or 3/8" radius otherwise</p>	
#14.7350	satin stainless steel	55 mm	Mortise only	satin stainless steel

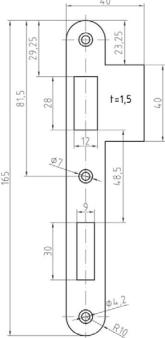


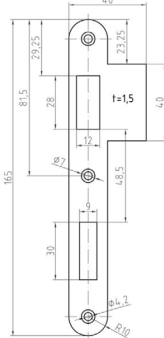
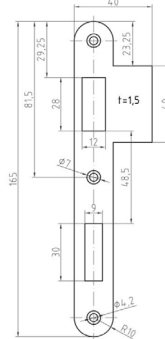


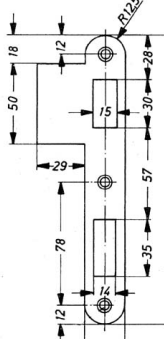
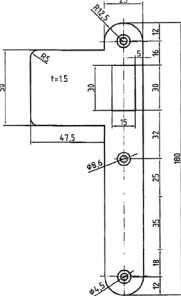


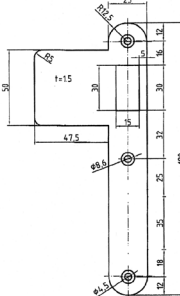
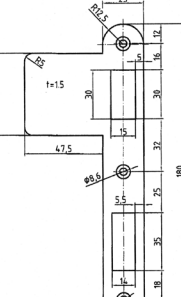


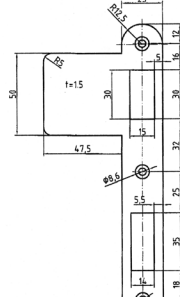


Order number	Material	Back set	Specifics	Finish
<p>escutcheon plate entry model round holes square holes</p>				
#14.129.508	Stainless Steel		<p>Pair; one round holes, one square holes</p>	Satin stainless steel
#14.129.308	Stainless Steel		<p>Pair; one round holes, one square holes</p>	Polished stainless steel
#14.128.508	Stainless Steel		<p>Single; round holes</p>	Satin stainless steel
#14.127.508	Stainless Steel		<p>Single; square holes</p>	Satin stainless steel
<p>escutcheon plate privacy model round holes / square holes</p>				
#14.119.508	Stainless Steel		<p>Pair; one round holes, one square holes</p>	Satin stainless steel
#14.119.308	Stainless Steel		<p>Pair; one round holes, one square holes</p>	Polished stainless steel
#14.118.508	Stainless Steel		<p>Single; round holes With thumb-turn attached</p>	Satin stainless steel
#14.117.508	Stainless Steel		<p>Single; square holes With red/green indicator</p>	Satin stainless steel
#14.117.308	Stainless Steel		<p>Single; square holes With red/green indicator</p>	Polished stainless steel
#14.116.508	Stainless Steel		<p>Single; square holes With slotted indicator</p>	Satin stainless steel
#14.116.308	Stainless Steel		<p>Single; square holes With slotted indicator</p>	Polished stainless steel
			<p>#05.599 Profile cylinder covers, spring loaded.</p>	<p>#05.5991</p>
05.599.608	PC cover 3 mm	Stainless steel	<p>Overall sizes: 29 x 58 x 12 mm</p>	
05.5991.608	PC cover 8 mm	Stainless steel	<p>Overall sizes: 29 x 58 x 17 mm</p>	




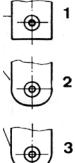
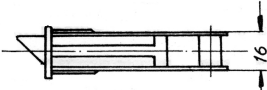
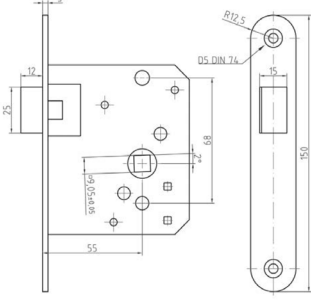

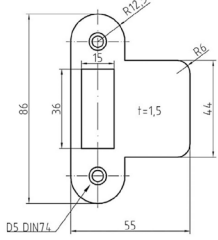
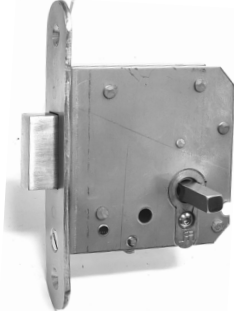
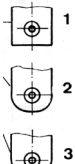
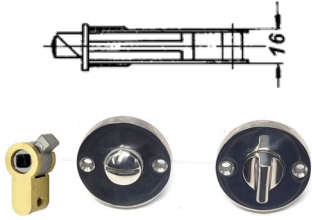
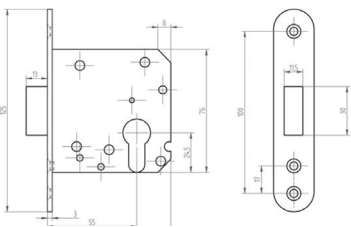

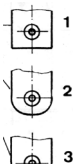
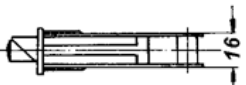
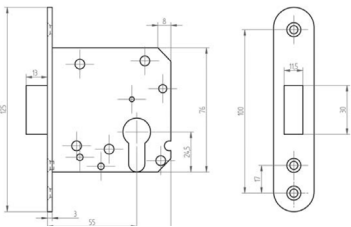
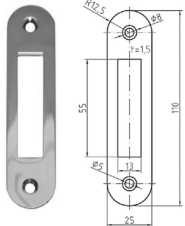
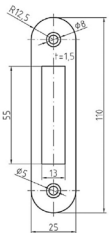
Order number	Material	Back set	Specifics	Finish
#14.109.266	Brass		Pair; one w. round holes, One w. square holes	Polished chrome
#14.109.508	Stainless Steel	55 mm	Pair; one w. round holes, One w. square holes	Satin stainless steel
#14.109.308	Stainless Steel	55 mm	Pair; one w. round holes, One w. square holes	Polished stainless steel
#14.108.508	Stainless Steel		Single; round holes	Satin stainless steel
#14.107.508	Stainless Steel		Single; square holes	Satin stainless steel
			Thumb turn with 7 x 7 mm square stock for use with escutcheon #14.118.508	Through bolts, set, Stainless steel Indicate size For use with escutcheons
#14.1TT	Thumb-turn		Single, 7 x 7 mm spindle	Satin chrome brass
#14.139	Nylon		Bearing for escutcheon each	nylon
#14.149	Through bolts		Set, male-female ,	Stainless steel
			lever set #14.999 #14.99A EXTENDED	
#14.999.508	stainless steel		Lever handle set satin stainless steel	
#14.999.308	stainless steel		Lever handle set polished stainless steel	
#14.99A.508	stainless steel		Lever handle set satin stainless steel for rim locks	
#14.99A.308	stainless steel		Lever handle set polished stainless steel for rim locks	
			lever set #14.310 with 8 x 8 mm or 9x9 mm square spindle	
#14.3101	Chrome plated brass		Lever handle "sable" set polished chrome plated brass	
#14.310	Brass		Lever handle "sable" brass polished	




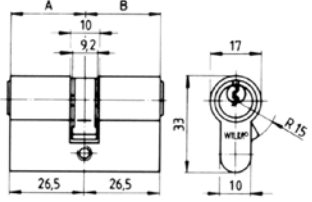


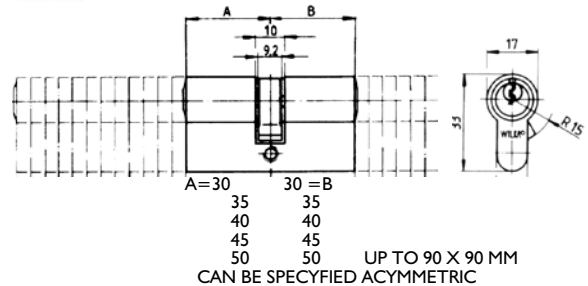
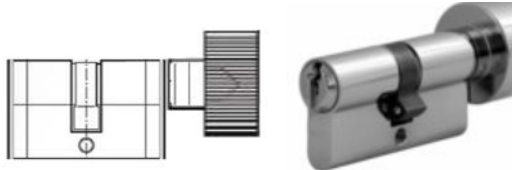
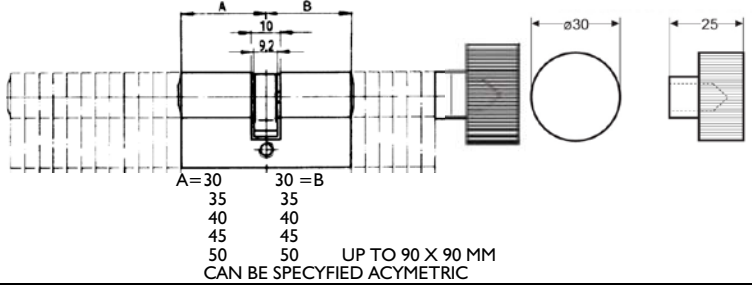


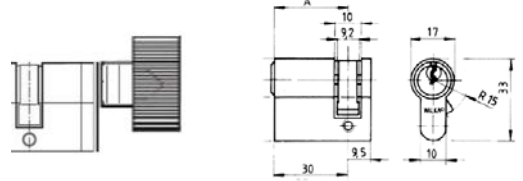






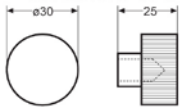
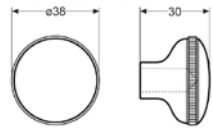
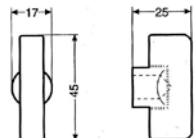



Order number	Material		Specifics	Finish
 <p>strike plate for passage lock, full size round corners</p>		 <p>standard round corners;</p>	 <p>strike plate for passage lock, round corner</p>	
14.626	Stainless steel	specify	Strike plate passage full size lip 29 mm	Satin stainless steel
14.626I	Stainless steel	specify	Strike plate passage full size lip 29 mm	Polished stainless steel
 <p>strike plate for entry lock</p>		 <p>standard round corners;</p>	 <p>strike plate for entry lock, round corner</p>	
14.231.508	Stainless steel	specify	Strike plate entry lip 29 mm	Satin stainless steel
14.231.308	Stainless steel	specify	Strike plate entry lip 29 mm	Polished stainless steel
 <p>strike plate for passage lock, long lip 3</p>		 <p>standard round corners;</p>	 <p>strike plate for passage lock, full size round</p>	
14.626S	Stainless steel	specify	Strike plate passage full size lip 47.5 mm	Satin stainless steel
14.626P	Stainless steel	specify	Strike plate passage full size lip 47.5 mm	Polished stainless steel
 <p>strike plate for entry lock, long lip</p>		 <p>standard round corners;</p>	 <p>strike plate for entry lock, round corner type 3</p>	
14.231S	Stainless steel	specify	Strike plate entry lip 47.5 mm	Satin stainless steel
14.231P	Stainless steel	specify	Strike plate entry lip 47.5 mm	Polished stainless steel

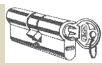
WE BEND AND CUT STRIKE PLATES ACCORDING TO YOUR SPECIFICATIONS



Order number	Material	Backset	Specifics	Finish
		 <p>standard is round corners; specify square or 3/8" radius otherwise</p>	 <p>Thickness lock case 5/8" or 15 mm</p>	
14.220	Stainless Steel	55 mm	Latch uses 9x9 mm spindle	Satin or Polished Stainless steel
				
14.251	Brass		Strike plate passage lip 29 mm	Chrome plate brass
14.2511	Brass		Strike plate passage lip cut and bend 17 mm	Chrome plate brass
		 <p>standard is round corners; specify square or 3/8" radius otherwise</p>	 <p>Insert #22.7000 with rose #16.954 thumb-turn #16.90W and indicator #16.91W</p>	
14.17W	Stainless steel	55 mm	Works with Thumb-turn	Satin or Polished Stainless steel
		 <p>standard is round corners; specify square or 3/8" radius otherwise</p>		
14.17Z	Stainless steel	55 mm	Works with Profile Cylinder	Satin or Polished Stainless steel
				
14.241	Brass		Strike plate dead bolt	Polished Lacquered brass
14.2411	Brass		Strike plate dead bolt	Chrome plate brass

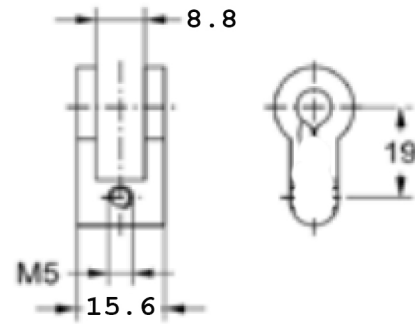


Order number		Material	Specifics	Finish
 Picture Profile Cylinder key/key Series #05.488 Small: 53 mm overall length				
05.488.566	key/key	Brass	A= 26.5 mm B= 26.5 mm key-key; satin chrome	
05.488.266	key/key	Brass	A= 26.5 mm B= 26.5 mm key-key; polished chrome	
05.407.566	key/knob	Brass	A= 26.5 mm B= 26.5 mm key-knob; satin chrome	
05.407.266	key/knob	Brass	A= 26.5 mm B= 26.5 mm key-knob; polished chrome	
 Picture Profile Cylinder key/key series #05.400 62 MM OVERAL LENGTH UP TO 182 MM OVERAL LENGTH WITH INCREMENTS OF 5 MM ALSO AVAILABLE ACYMMETRIC		 Key blanks #05.150		
05.400.566	key/key	Brass	A= 30 mm B= 30 mm key-key; satin chrome	
05.400.266	key/key	Brass	A= 30 mm B= 30 mm key-key; polished chrome	
 Picture: Profile Cylinder key/knob Series #05.405 Specify Knob (knob depicted: #05.502 62 MM OVERAL LENGTH UP TO 182 MM OVERAL LENGTH NOT COUNTING THE KNOB WITH INCREMENTS OF 5 MM - ALSO ACYMMETRIC				
05.405.566	key/knob	Brass	A= 30 mm B= 30 mm key-key; satin chrome	
05.405.266	key/knob	Brass	A= 30 mm B= 30 mm key-key; polished chrome	
 Half keyway #05.415 key/- UP TO 90 MM		 Half knob #05.416 knob/- special order		
05.415.566	Key/ - 30 - 0	Brass	A= 30 mm B= 0 mm key- /-; satin chrome	
05.415.266	Key/ - 30 - 0	Brass	A= 30 mm B= 0 mm key- /-; polished chrome	
05.416.566	Knob/ - 30 - 0	Brass	A= 30 mm B= 0 mm key- /-; satin chrome	
05.416.266	Knob/ - 30 - 0	Brass	A= 30 mm B= 0 mm key- /-; polished chrome	
 #05.502  #05.602  #05.762  #05.517  #09.P07  #09.P05  #05.502  #05.602  #05.762  #05.008  #13.J454  #13.J453				



Izerwaren
Order
numbers

Profile Key Cylinder
replacement inserts
to change the function
from Entry to Privacy
(bathroom function)

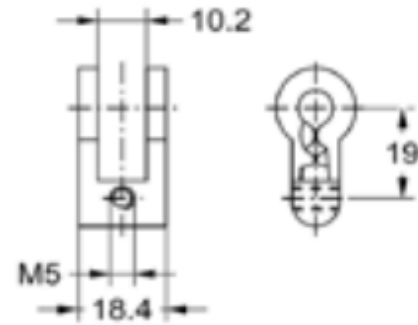


22.7000 Adapter for profile cylinder brass
to thumb-turn / indicator
with 7x7 mm spindle

#22.7000 Insert to replace profile cylinder key way with thumb-turn
For privacy (toilet) set up with 7x7 mm spindle
Brass casing with zinc follower



#14.73Z mortise lock
with insert #22.7000.

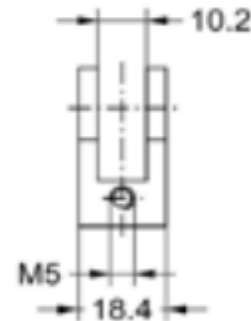


22.7423 Insert changes function to skeleton
keyway

22.7423 Skeleton Key Insert replacing Profile Key Cylinder.
Material: Zinc; interior grade



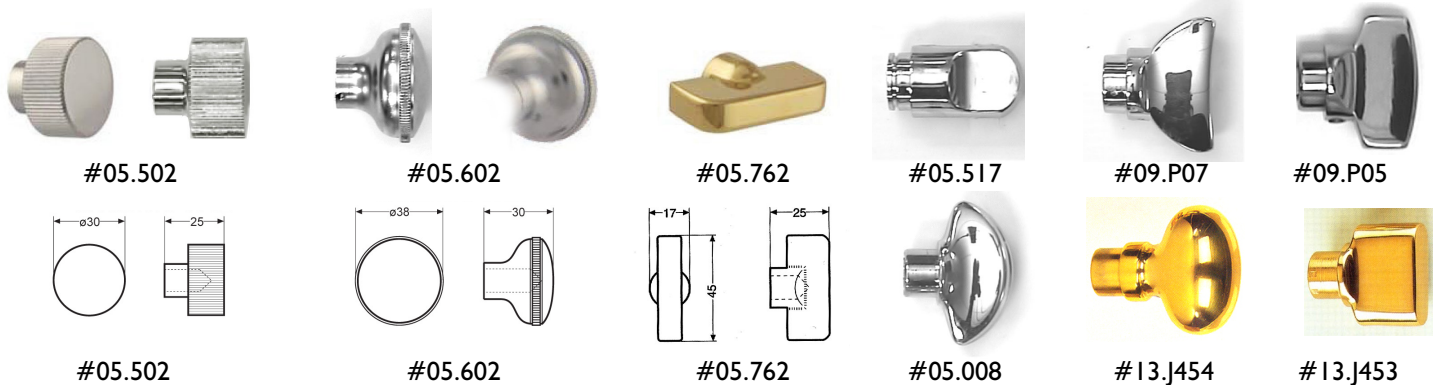
#13.31Z Stainless Steel Rim-lock
with Thumb-turn
See page 1-3-B for details



22.755 Adapter for Profile Cylinder
To 6 x 6 mm spindle for
Thumb-turn / indicator
Stainless Steel
For marine applications

22.755 Profile Cylinder insert convert from Entry to Privacy
With 6 x 6 mm spindle for thumb turn / indicator.
Stainless Steel. For marine applications

Thumb-turn designs available:





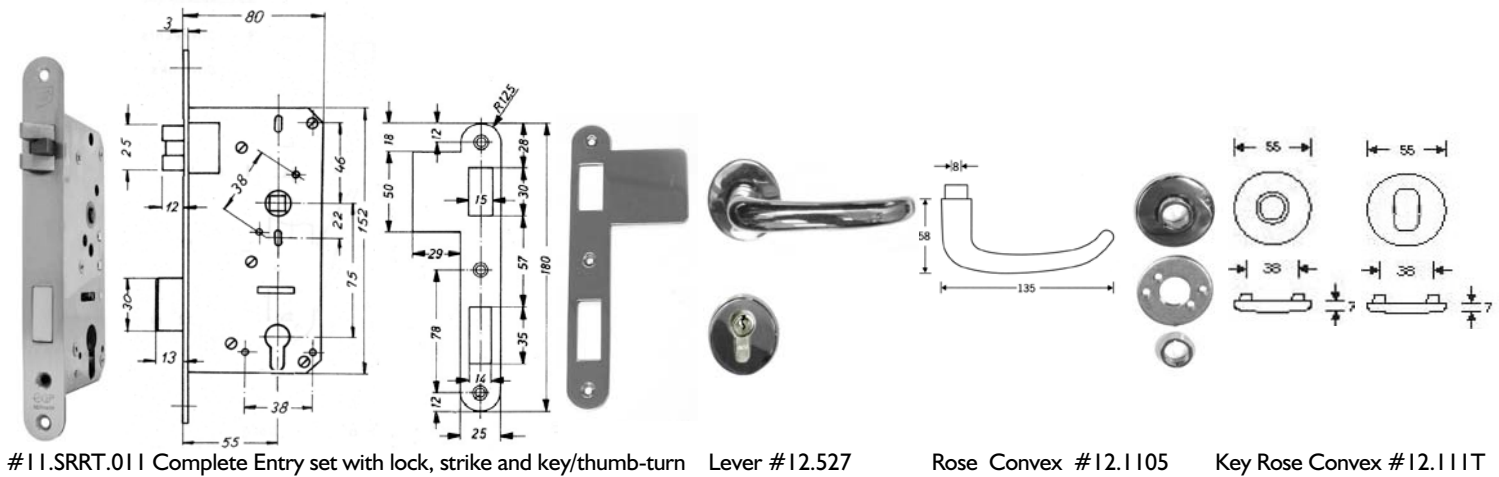
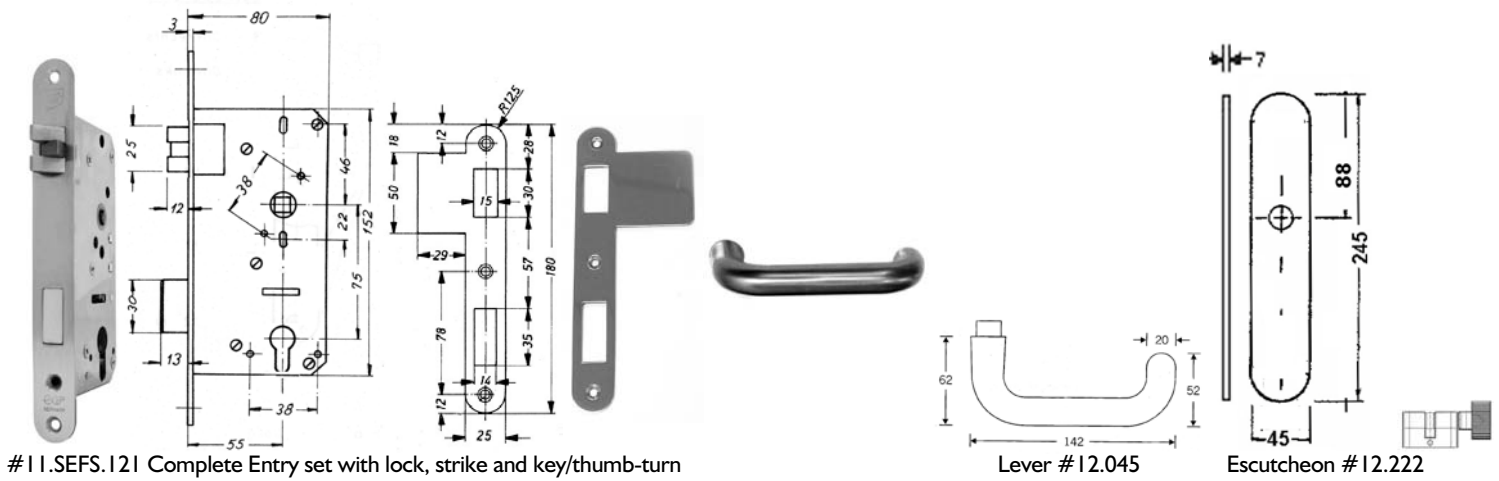
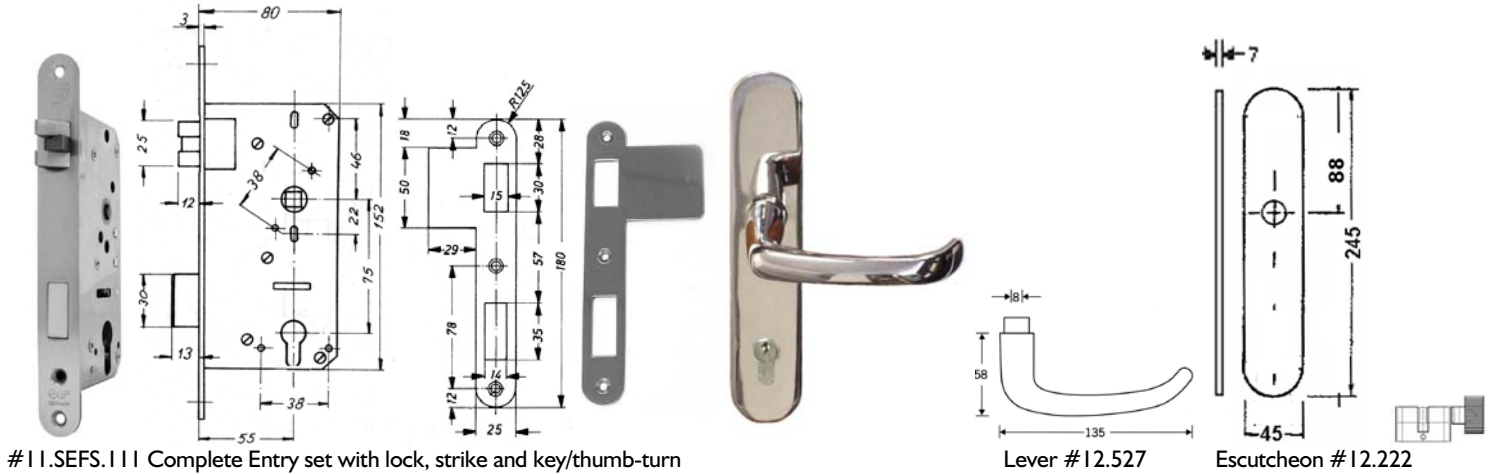
UPGRADE!

#14.3127ZE SET: Marine Entry Mortise lockset with Keyway, Strike plate, Levers and Escutcheon
See page 1-4-Q for details



S&B and GSV Marine Door Locks, with **UPGRADE** to Mirror Polished Stainless Steel Exterior Yacht Doors.

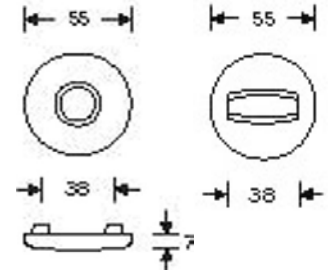
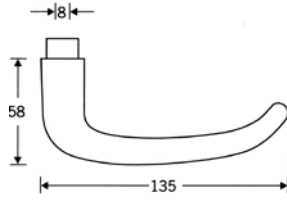
Suitable for aluminum, wood, fiberglass and steel swinging and sliding doors. 55 mm backset



Type and size of the keyway (Profile Cylinder) is determined by door thickness; please specify door thickness when ordering. Page 0-5-1 and 0-5-2 are showing details on Profile Cylinders.



S&B and GSV Marine Door Locks, 55 mm backset, with **UPGRADE** to Mirror Polished Stainless Steel Exterior Yacht Doors.

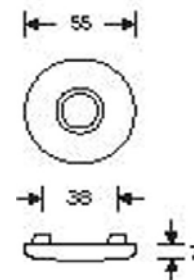
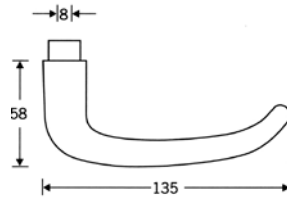


#11.SRFT.017 Complete **Privacy** Lock SET,
#11.SRFT.027 Complete **Privacy** Lock SET,

Lever #12.527
Lever #12.527

Rose Convex #12.110C
Rose Flat #12.110F

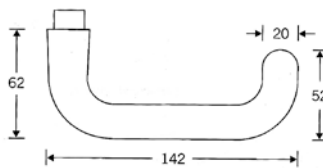
Thumb-turn
Thumb-turn set



#11.SRFT.037 Complete **passage** lock SET

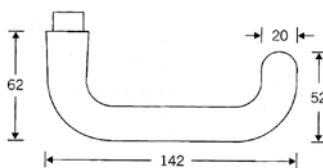
Lever #12.527

Rose Convex #12.110C



#11.SRFT.021 Complete **privacy** lock set with Lever #11.045 Lever with rose convex #12.110C

Thumb-turn/indicator set



#11.SRFT.137 Complete **passage** lock set with Lever #11.045 Lever with rose convex #12.110C



Izerwaren
Order
numbers

- Stainless Steel Heavy Duty Mortise Lock
- Backset 65 mm
- Standard finish: Satin stainless steel
- Option: Mirror Polished Stainless Steel

14.3127ZE **Set:** Entry Door Mortise Lock: Levers, escutcheons, strike plate and profile cylinder

14.3127 Entry Door Mortise Lock separate
 Lock case: 97 mm x 164 mm x 16 mm
 Backset 65 mm PC= 72 mm
 Front plate 235 x 24 mm
 For 9x9 mm spindle

14.0031 Strike plate entry separate stainless steel



Entry lock set #14.3127ZE 65 mm backset

14.3127ZR **Set:** Entry Door Mortise Lock : Levers, roses, strike plate and profile cylinder



Entry lock set #14.3127ZR 65 mm backset

#14.3127 Entry lock heavy duty

14.3178WR **Set:** Privacy Door Mortise Lock: Levers, roses, Thumb-turn/indicator with roses, strike plate.

14.3178 Privacy Door Mortise Lock separate
 Lock case: 97 mm x 164 mm x 16 mm
 Backset 65 mm WC= 72 mm
 Front plate 235 x 24 mm
 For 9x9 mm spindle



Privacy lock set #14.3178WR 65 mm backset

14.3189FR **Set:** Passage Door Mortise Lock: Levers, roses

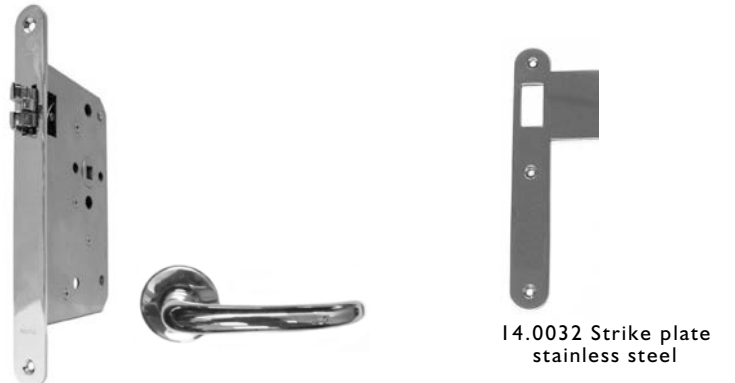
14.3189 Passage Door Mortise Lock separate
 Lock case: 97 mm x 164 mm x 16 mm
 Backset 65 mm stainless steel
 Front plate 235 x 24 mm

14.0032 **Strike plate** Passage stainless steel

12.527 Lever # 12.527; 135 mm long; stands off 58 mm Stainless steel

12.110S Rose #12.110S; 55 mm diameter Stainless steel fire rated

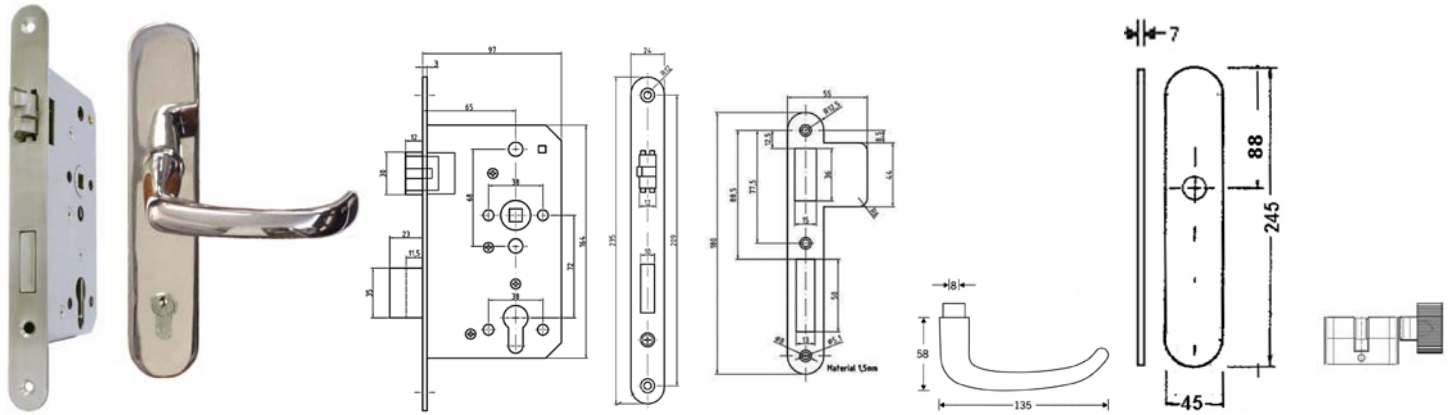
12.222 #12.222 Escutcheon 45 x 245 mm Stainless steel; escutcheon available for entry, privacy and passage set up



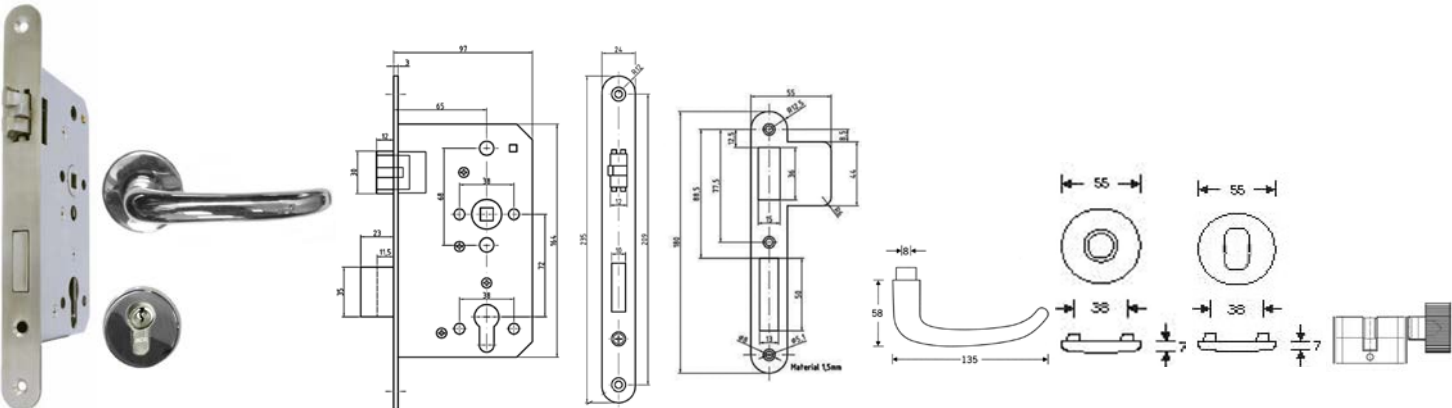
Passage lock set #14.3189FR 65 mm backset

14.0032 Strike plate stainless steel

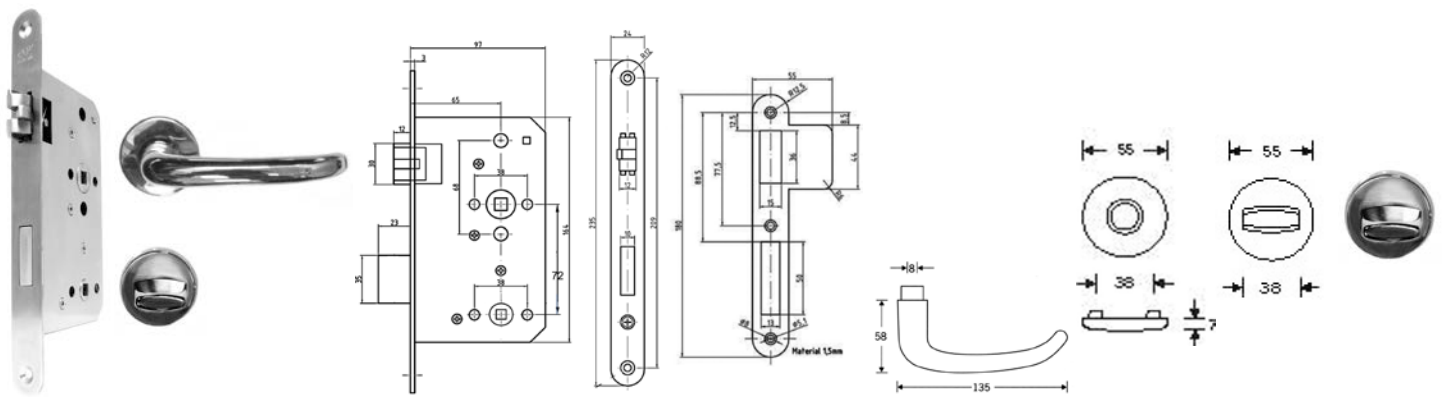
For profile cylinder specifics: see page 0-5



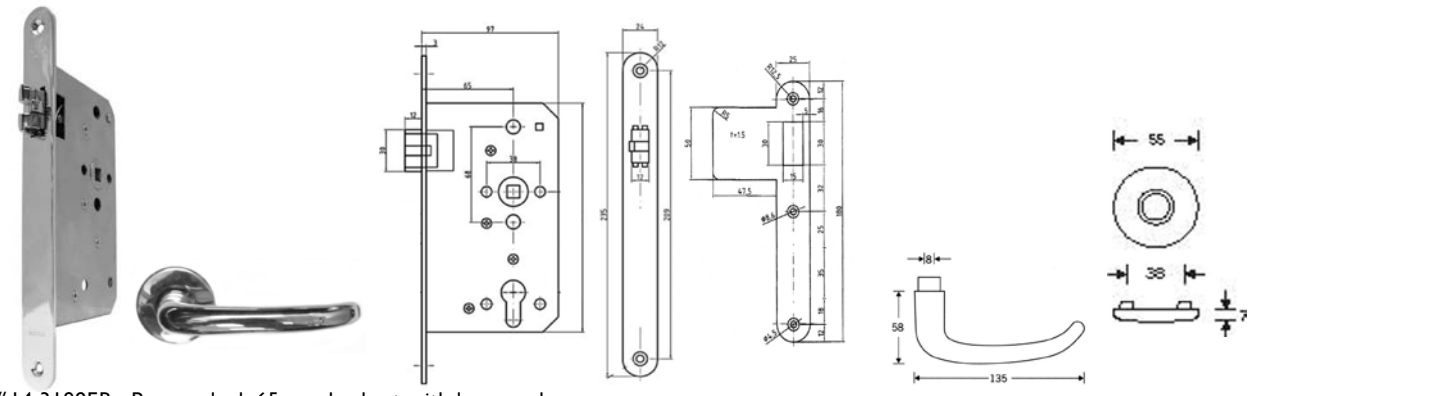
Entry lock set # 14.3127ZE 65 mm backset with lever and escutcheons and keyway



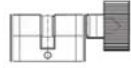
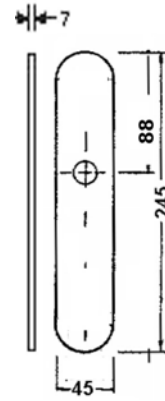
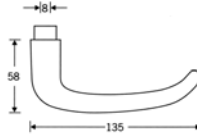
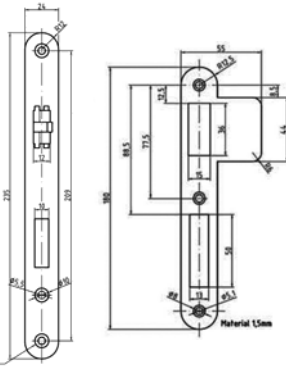
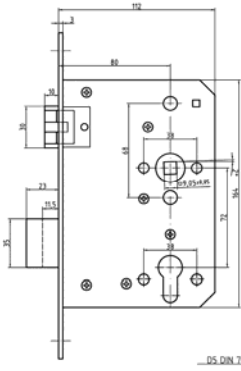
Entry lock set # 14.3127ZR 65 mm backset with lever and convex roses and keyway /thumb-turn



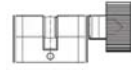
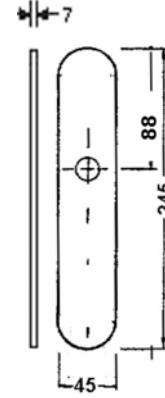
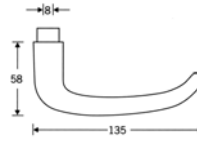
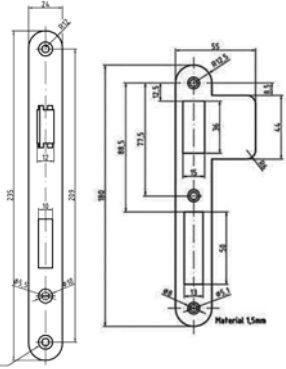
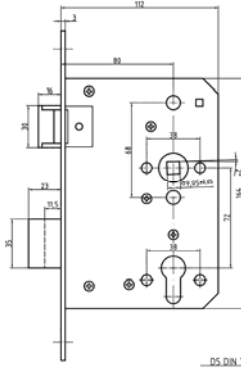
Privacy lock set # 14.3178WR 65 mm backset with lever and convex roses and thumb-turn / indicator



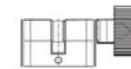
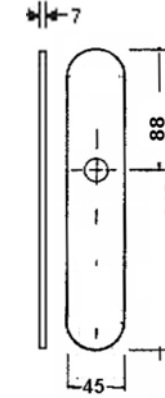
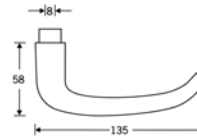
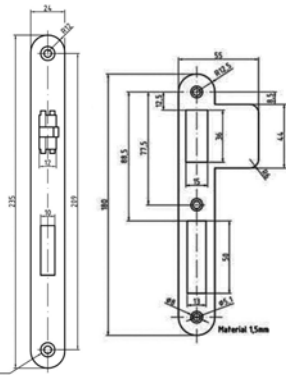
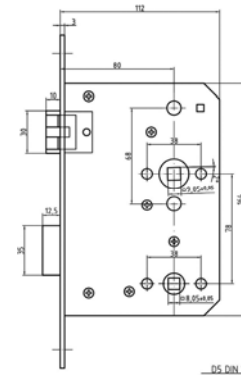
14.3189FR Passage lock 65 mm backset with lever and convex roses



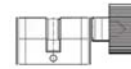
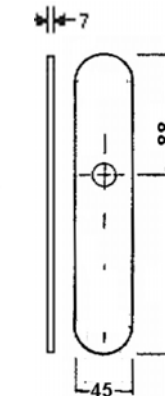
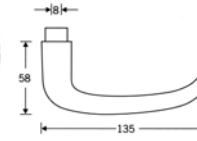
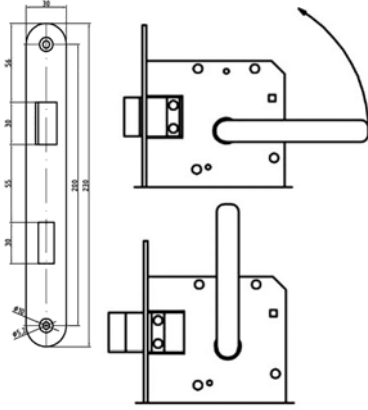
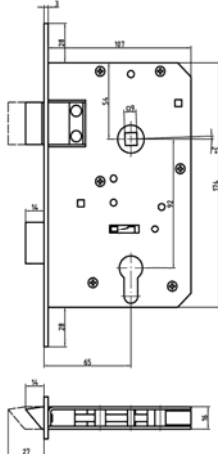
Entry lock set #14.3127ZE 80 mm backset with lever and escutcheons and keyway



Entry lock set #14.3127ZE? 80 mm backset **With Long solid 16 mm latch bolt**



Privacy lock set #14.3127ZE? 80 mm backset with lever and escutcheons and thumb-turn / indicator



Set: 14.530ZE **Torque** lock; 65 mm backset; Function: By tilting lever upward 90 degree latch bolt extend 14 mm; Latch bolt protrudes 27 mm total
Lock separate: #14.531 Right hand #14.532 Left hand. Set comes with lever and escutcheons plates and keyway

See for separate parts: Page 1-4-D. Other trim options details: See pages 1-1-2 and 1-2.



Izerwaren
Order
Numbers

Brass rim lock, backset 37 mm - 1 1/2"
BPC polished chrome plated brass only

15.656

Entry Rim dead bolt lock
with round cylinder. For 3/4" thick doors

15.837

Strike Box
Strike Plate

15.656S

15.452

Rim Latch for knobs
Backset 1 1/2"

15.837

Strike box separate
Strike plate separate

15.656S



#15.656 Deadbolt rim lock
Backset 1 1/2" Cylinder Key/knob
For 1" door thickness.



Rim Latch #15.452; Backset 1 1/2"
Strike box separate #15.837
Strike plate separate: #15656S
For 8 x 8 mm spindle / knobs or levers

15.475

Entry Rim Lock with cylinder key
For 1" thick doors
For 8 x 8 mm spindle /door lever handles

15.842

Strike Box
Strike Plate

15.484S



Entry Rim Lock #15.475 for 1" doors
Entry rim lock #15.4735 for 1 1/4" doors
backset 1 1/2" Cylinder Key/Knob
Strike box separate #15.842
Strike plate separate: #15484S

15.4735

Entry Rim Lock with cylinder key
For 1 1/4" thick doors
For 8 x 8 mm spindle /door lever handles

15.026

Privacy Rim Lock
8 x 8 mm spindle for lever handles
Thumb/turn

15.842

Strike Box
Strike Plate

15.484S



Privacy Rim Lock #15.026 backset 1 1/2"
Strike box separate #15.842
Strike plate separate: #15484S
Suitable trim:

15.71Z

Dead Bolt Rim Lock
w. round cylinder 25 mm back set
Case: 60 mm x 78 mm x 12 mm thick

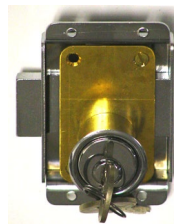
05.522

Round cylinders series #690;
23 diameter x 20 / 25 / 30 mm long
Specify door thickness

15.924

Strike Box

Other Suitable trim:



Dead bolt Rim Lock #15.71Z
Backset: 25 mm



3485

3818

#16.087 Knob, Rose #16.924

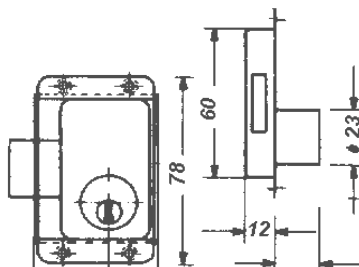


#18.740 Lever, Rose #16.924



#16.012 Thumb-turn, Rose #16.924

See page I-10 for more trim set



Dead bolt Rim Lock #15.71Z
25 mm backset
For 3/4"; 1" and 1 1/8" door thickness



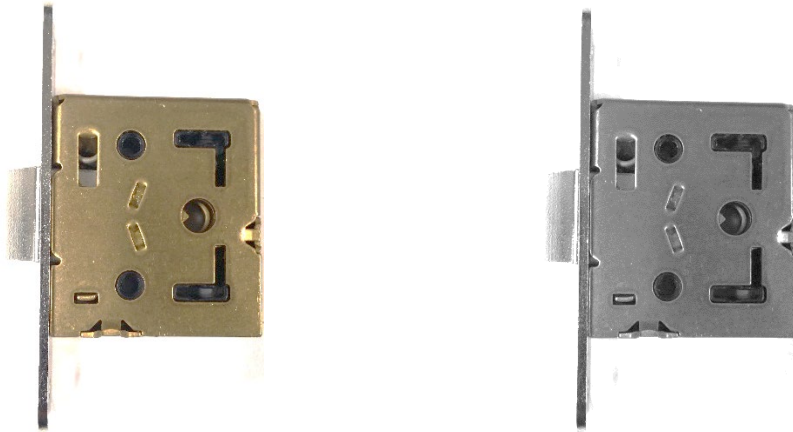
3819

3840

See page I-13-C for details

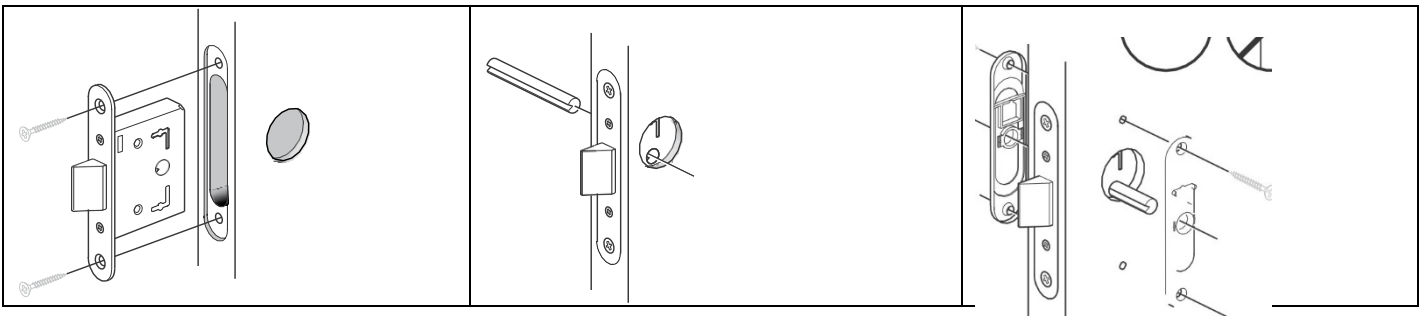


Mobella Mini McCoy Latches 30 mm backset

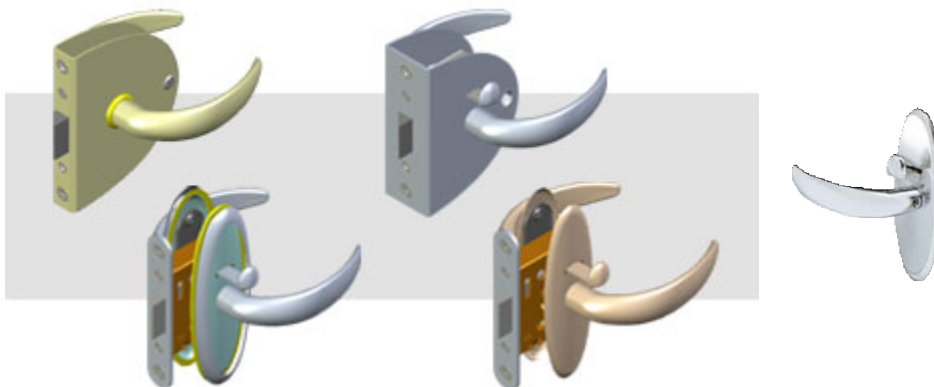


Izerwaren part number: 15.3542

McCoy Mini Latch MC-R3542 left or right reversable;
30 mm backset; lockcase 50 x 43 mm Faceplate: 90 x 20 mm

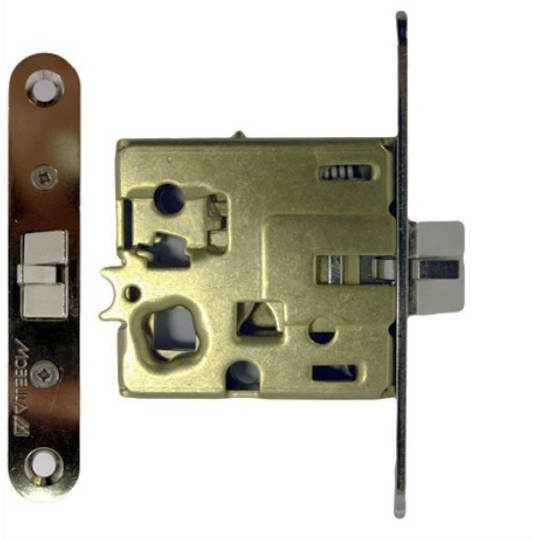


MC Mini latch works with the following trim sets:

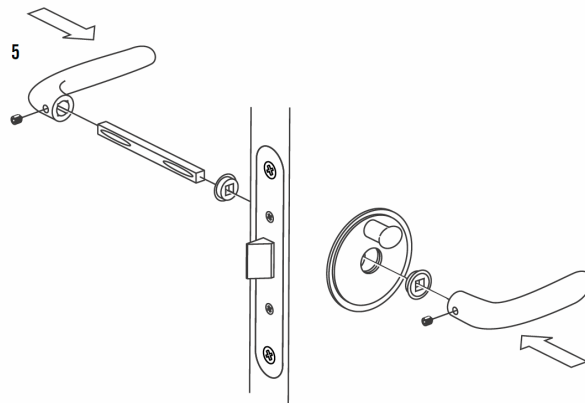
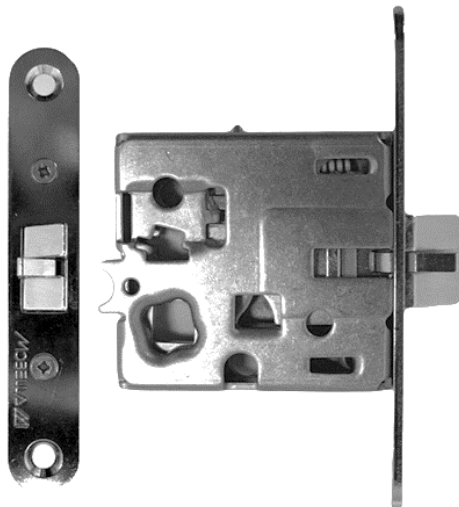
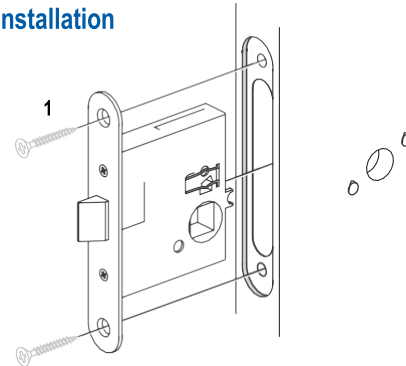




Mobella McCoy Latches 45 mm backset



installation



Izerwaren Partnumber: 15.9653

MA-R9653 Right and MA-R9654 Left handed latch, double spring WITH TRIPLE latch bolt
45 mm backset; faceplate: 100 x 16 mm.

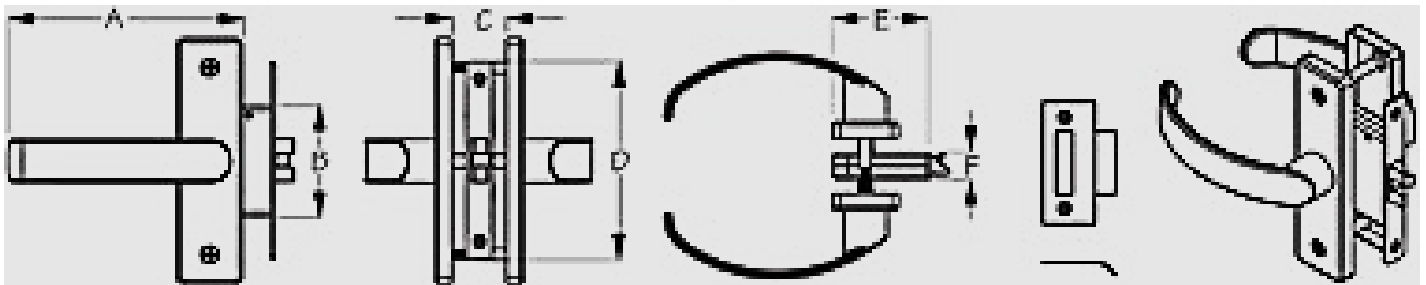
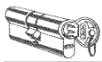
Fits with the following trim:



Nova lever & rose



Portofina lever & rose



#11.1610

1 1/2 inch backset

A

4-1/8"

B

2"

C

3/4"-1-1/2"

D

3-9/16"

E

1-3/4"

F

7/16"

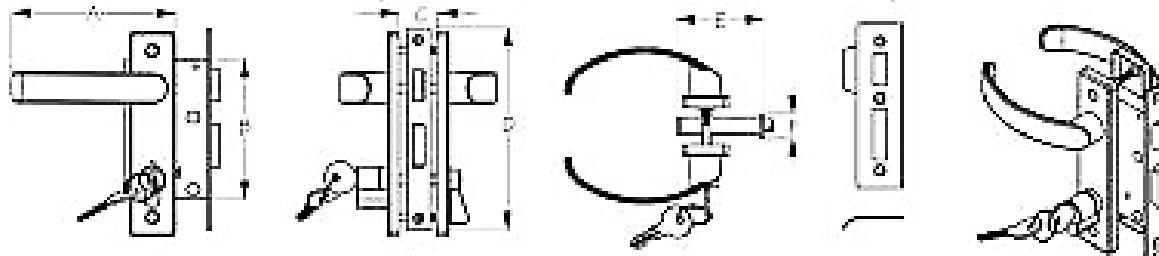


Stainless Steel Latch for doors from 3/4 inch to 1 1/2 inch thick with Tripple Latch Bolt; Lever Spring Loaded; Strike Lip Bend

#11.1615 keyed entry lock see Page 1-5-2-B



11.1615 Marine Grade 316 Stainless Steel Entry Lock with 1 1/2 inch backset (38 mm) with half cylinder and thumb-turn and strike plate

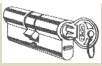


Backset	A	B	C	D	E	F	Fastener
1-1/2"	4-1/8"	3-9/16"	3/4"- 1-1/2"	5-1/4"	1-1/4"	7/16"	#8 FH
38 mm	105 mm	90 mm	19 to 38 mm	134 mm	32 mm	11 mm	No 8 screw flat head

This Locking Door Handle Latch is highly polished for a modern, sleek look. Features open from outside deadbolt with cylinder lock mechanism. Includes strike plate, mounting template and two keys. For doors 3/4" – 1-1/2" thick. Constructed of corrosion resistant investment cast 316 stainless steel. Latch and strike plate install with four #8 FH fasteners (not included)



#11.1160 Passage model (no key) see page 1-5-3 for details



Set: #16.350W Small Privacy lock; Stainless steel.
1 9/16" backset or 40 mm.

Set: 16350F Small Passage Lock 40 mm
For Doors of 1 1/8" or 29 mm thick

Stainless Steel



16.501 privacy lock;

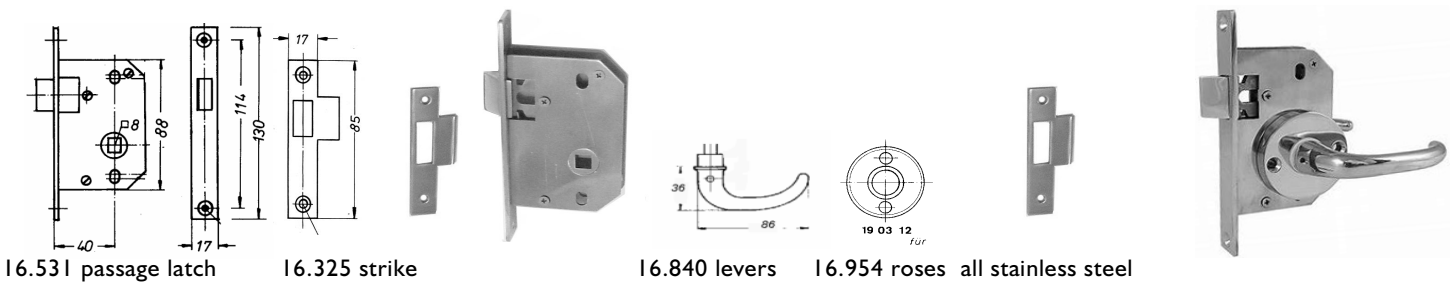
16.324 strike

lever and rose

Thumb-turn/indicator + roses

lever #16.840 + rose #16.954;
thumb-turn: #16.90W
Indicator #16.91W
Rose: 50 mm diameter
Lever: 86 mm long

Stainless Steel

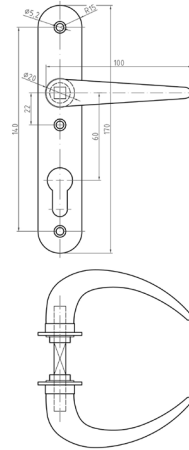
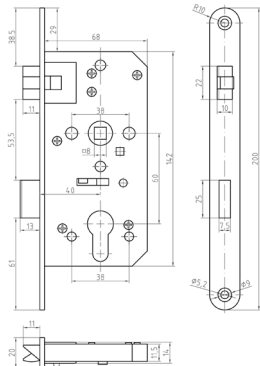


16.531 passage latch

16.325 strike

16.840 levers

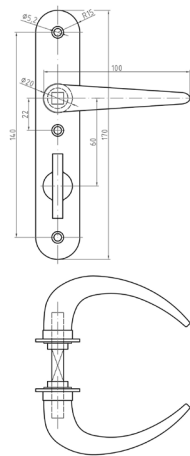
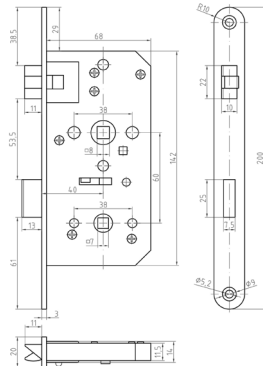
16.954 roses all stainless steel



16.S04Z SET 40 mm backset Entry Marine Lock.

#12.59Z Trim set separately. #05.488.266 keyway (PC) separate

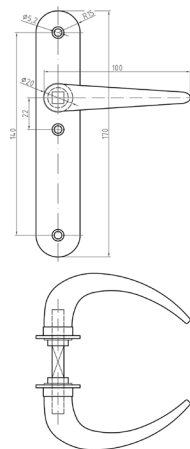
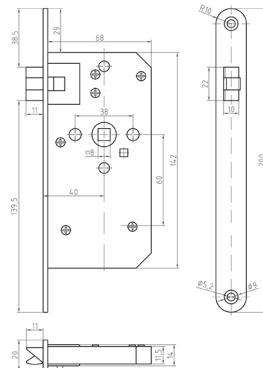
**Marine Locks for min. 1" thick doors with a max. weight of 100 lbs.
1 1/2" backset; lock case: 2 3/4" x 5 5/8"**



16.S04W SET 40 mm backset Privacy Marine Lock.

#12.59W Trim set separately.

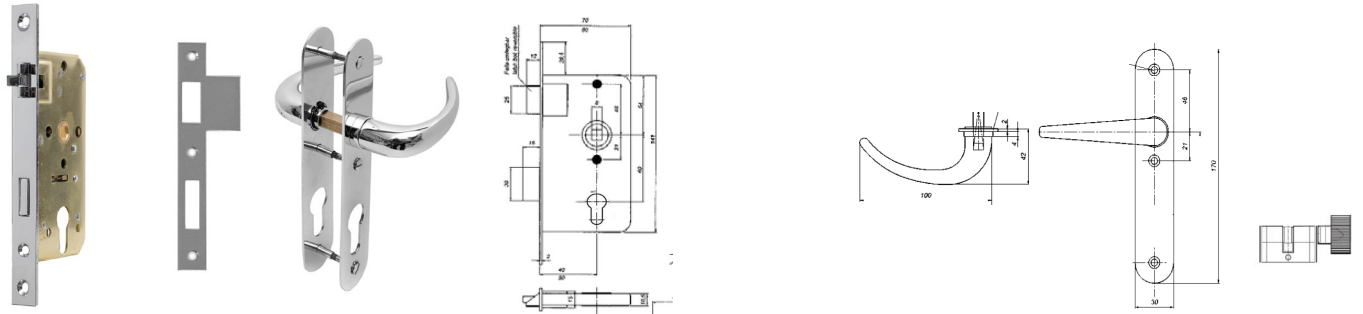
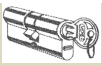
Indicator / emergency release
Option 1: for operating with spanner key #14.529
Option 2: slotted head operate with screwdriver



16.S04F SET 40 mm backset Passage Marine Lock.

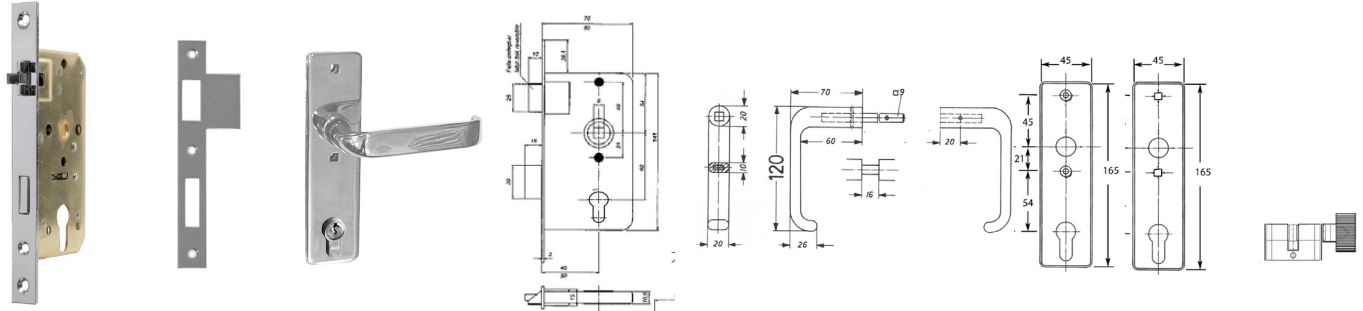
#12.59F Trim set separately.

#18.740 Lever, Rose #16.924



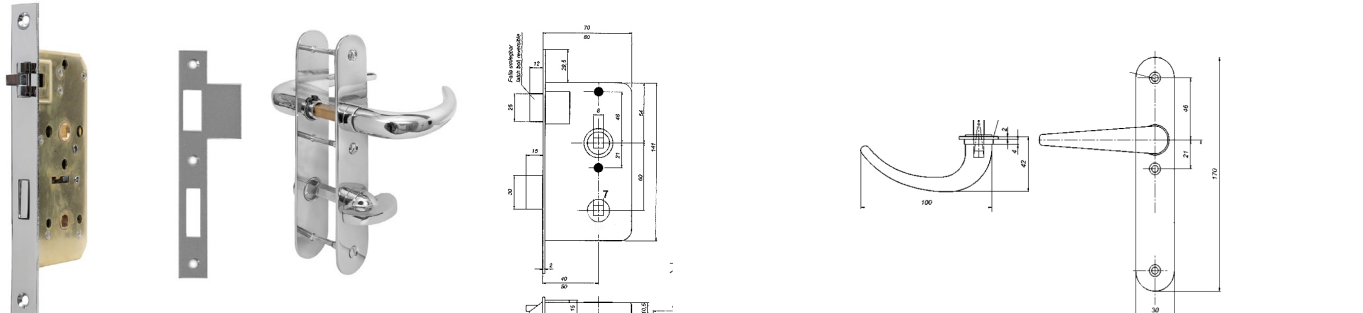
SET: 16.S04Z Entry lockset 40 mm backset with standard escutcheon and lever, keyway and strike.

SET: 16.S05Z Entry lockset 50 mm backset with standard escutcheon and lever, keyway and strike.



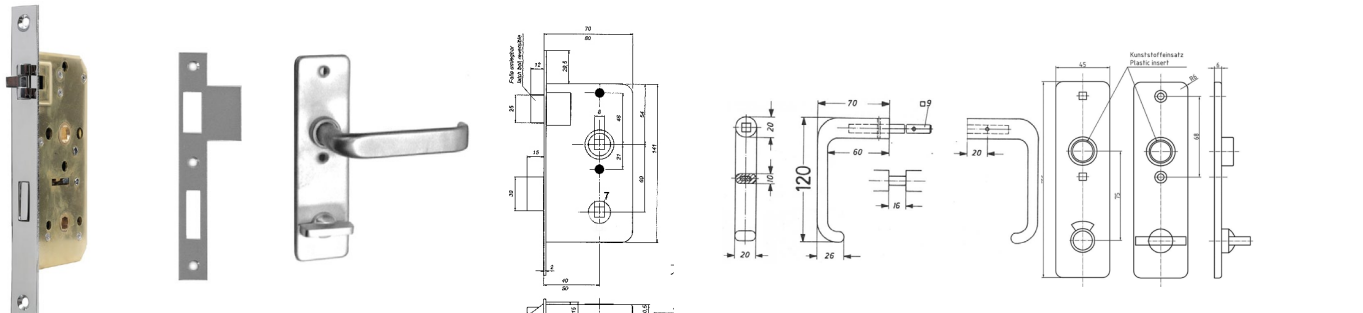
SET: 16.R04Z Entry lockset 40 mm backset with rectangular escutcheon and half sable lever, keyway and strike.

SET: 16.R05Z Entry lockset 50 mm backset with rectangular escutcheon and half sable lever, keyway and strike.



SET: 16.S04W Privacy lockset 40 mm backset with standard escutcheon and lever, thumb-turn and indicator

SET: 16.S05W Privacy lockset 50 mm backset with standard escutcheon and lever, thumb-turn and indicator,



SET: 16.R04W Privacy lockset 40 mm backset with rectangular escutcheon and half sable lever, thumb-turn and indicator

SET: 16.R05W Privacy lockset 50 mm backset with rectangular escutcheon and half sable lever, thumb-turn and indicator

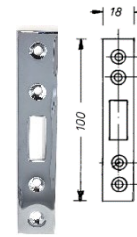
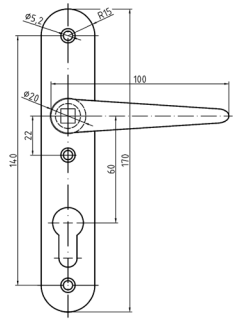
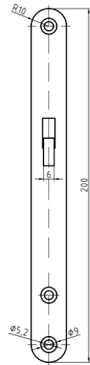
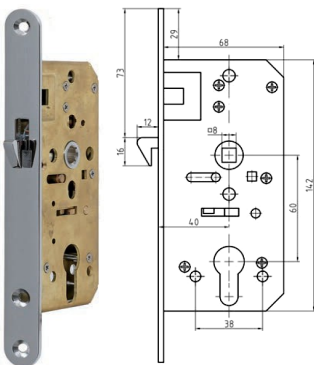


16.S04Z SET

16.S04W SET

16.S04F SET Passage

16.R04F Passage Lock separate

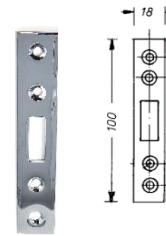
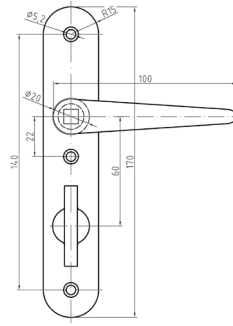
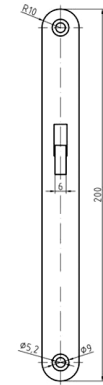
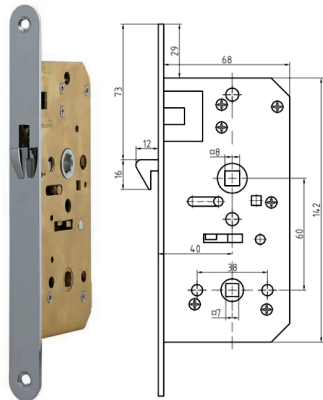


14.481 Entry sliding door lock 40 mm backset:
14.581 Entry sliding door lock 50 mm backset:

16.59Z Trim set
16.59Z Trim set

14.48S strike plate
14.48S strike plate

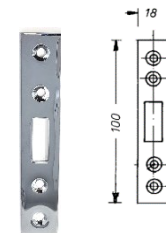
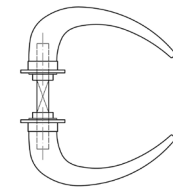
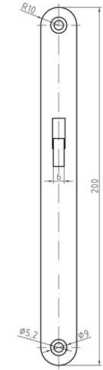
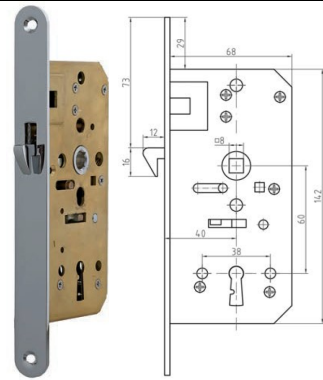
05.400 keyway
05.400 keyway



14.471 Privacy lock 40 mm backset with trim
14.571 Privacy lock 50 mm backset with trim

12.59W trim set for privacy lock
12.59W trim set for privacy lock

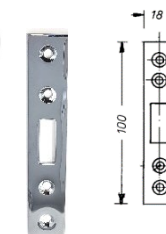
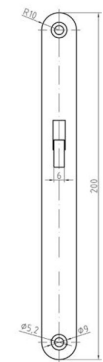
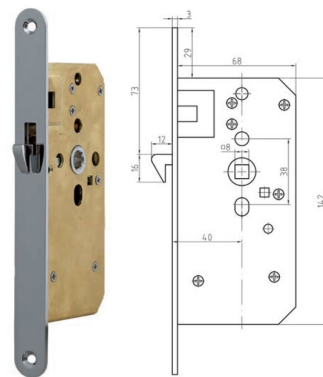
14.48S strike plate
14.48S strike plate



14.491 Entry lock 40 mm backset with skeleton key and trim
14.591 Entry lock 50 mm backset with skeleton key and trim

12.590 trim set
12.590 trim set

14.48S strike plate.
14.48S strike plate.

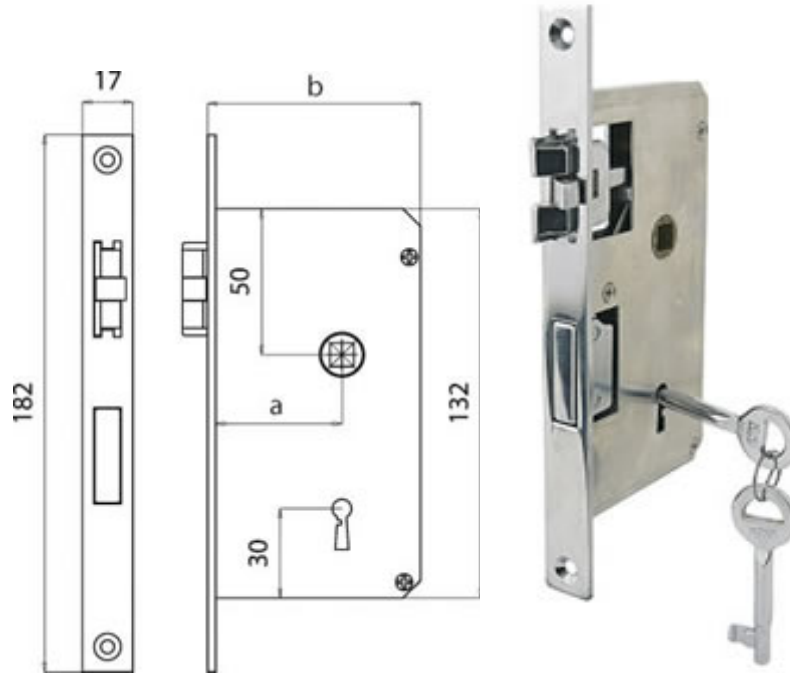


14.891 Passage latch sliding 40 mm backset with trim
14.991 Passage latch sliding 50 mm backset with trim

12.59F trim set for passage lock
12.59F trim set for passage lock

14.48S strike plate.
14.48S strike plate

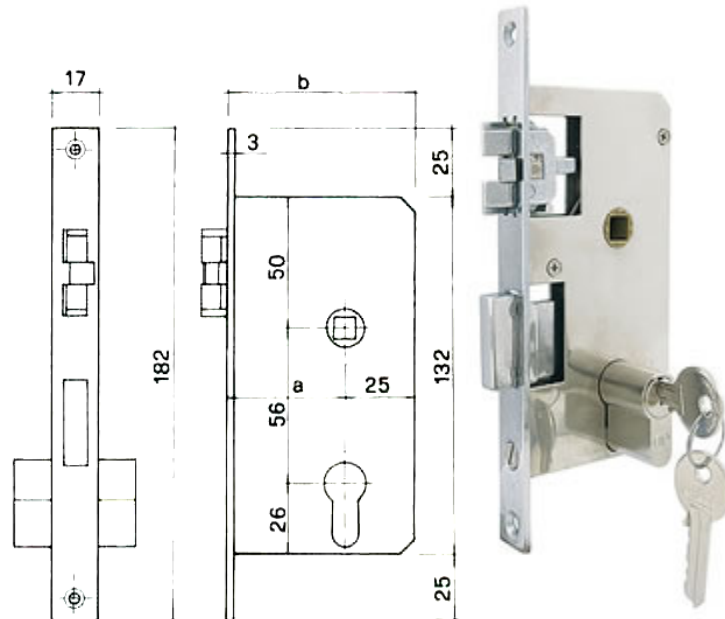
For more lever trim sets: see Decorative Trim Section on Line

**“OC” Series Marine Lock replacements.****#16.651A Entry Lock with Skeleton Key 45 mm backset**

With anti rattle latch

Chrome Plated Brass

Sizes: Lock case 2 3/4"x 5 3/16" 1/2" thick; Face Plate: 6/16" x 7 3/16"

#16.651B Entry Lock with Skeleton Key 75 mm backset**#16.653A Entry Lock with Profile Cylinder Key 45 mm backset**

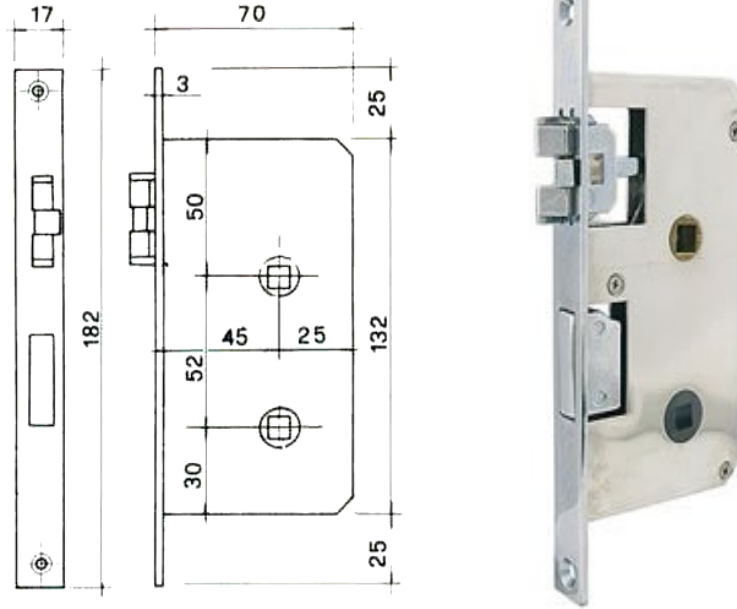
With anti rattle latch

Chrome Plated Brass

Sizes: Lock case 2 3/4"x 5 3/16" 1/2" thick; Face Plate: 6/16" x 7 3/16"

#16.653B Entry Lock with Profile Cylinder Key 75 mm backset

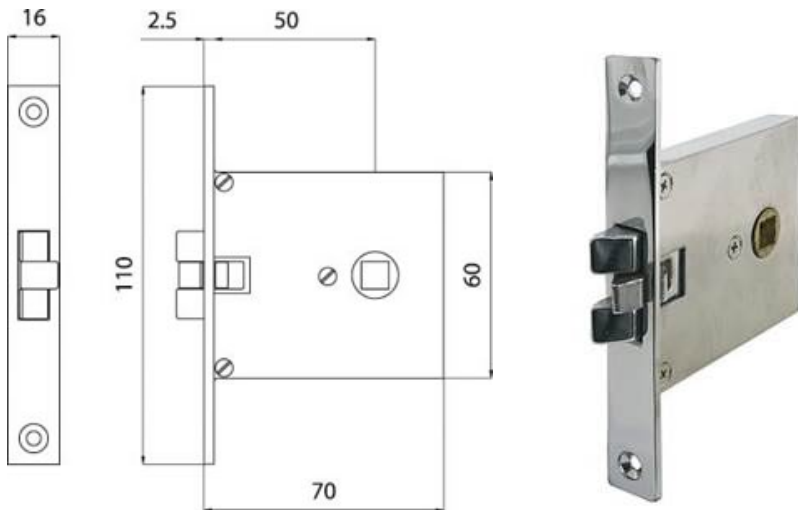
Strike plates are included when purchasing a lock

**“OC” Series Marine Lock replacements.****#16.654A Privacy Latch 45 mm backset**

With anti rattle latch

Chrome Plated Brass

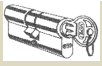
Sizes: Lock case 2 3/4"x 5 3/16" 1/2" thick; Face Plate: 6/16" x 7 3/16"

**#16.655 Passage Latch 50 mm backset**

With anti rattle latch

Chrome Plated Brass

Sizes: Lock case 2 3/4"x 5 3/8" 1/2" thick; Face Plate: 5/8" x 4 3/8"



Izerwaren
Order
Numbers

- Brass rim lock, backset 30 mm - 1 3/16"
 - Minimum door thickness 10 mm - 3/8"
 - Specify door thickness when ordering
- Finish: Chrome plated brass



#17.979Z - #17.928Z
Rimlock 30 mm backset with keyway
Specify door thickness when ordering.

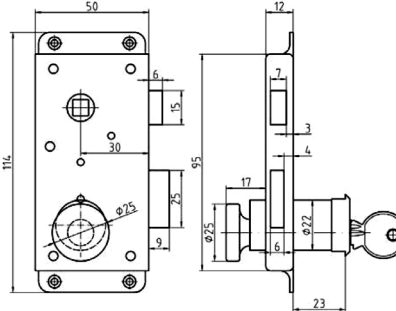


#17.7467
Entry trim set
For Cylinder Keyway
outside

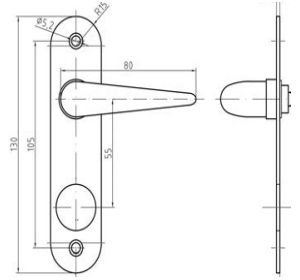
17.928Z **17.928Z entry lock**
with cylinder key and thumb-turn inside
Center spindle hole to center key hole: 55 mm
Case: 50 mm x 104 mm x 12 mm thick
For 7 x 7 mm spindle

17.979Z **17.979Z entry lock** with cylinder key only
Center spindle hole to center key hole: 55 mm
Case: 50 mm x 114 mm x 12 mm thick
For 7 x 7 mm spindle on the lever

17.7467 **Entry Trim plate and Lever** for outside



#17.928Z Rim lock; keyway / thumb-turn



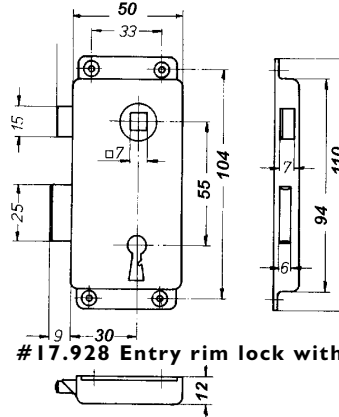
#17.7467 trim for keyway
outside



#17.928 + #12.68K

17.928 **Entry Rim Lock with skeleton key**
Center spindle hole to center key hole: 55 mm
Case: 50 mm x 104 mm x 12 mm thick
For 7 x 7 mm spindle

12.68K **Entry Trim plate and Lever**
For skeleton key outside

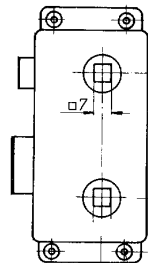


#17.928 Entry rim lock with bit key



Entry Trim #12.68K
Outside

17.92W **Privacy Rim Lock**
Center spindle hole to center key hole: 55 mm
Case: 50 mm x 104 mm x 12 mm thick
For 7 x 7 mm spindle



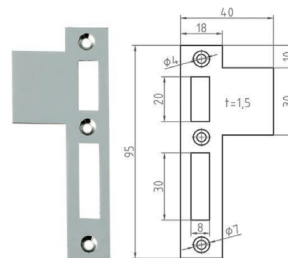
Privacy rim lock #17.92W



Privacy #12.68W trim
Outside

18.90B **Strike Plate**

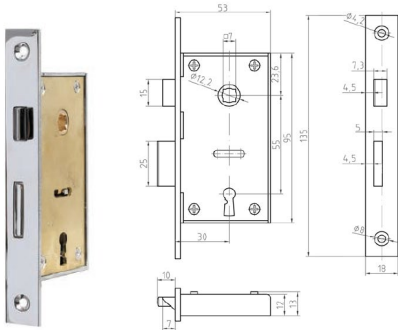
12.969 **Escutcheon with knob**
Passage model only



#18.90B strike plate



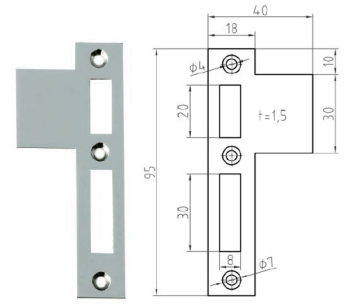
#12.969 Plate with knob
Passage model only



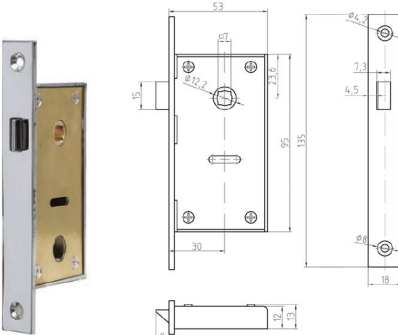
#18.968 Entry Lock with skeleton key



#12.68K Levers Escutcheons for skeleton key



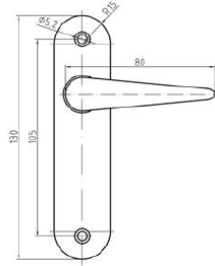
#18.90B strike plate for #968 series



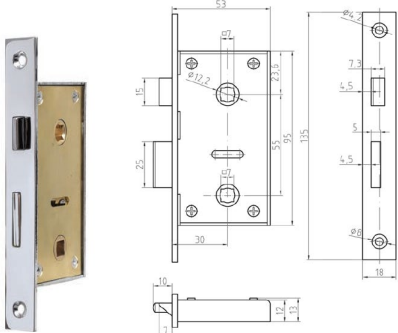
#18.68F Passage Latch



#12.68F Levers Escutcheons passage latch



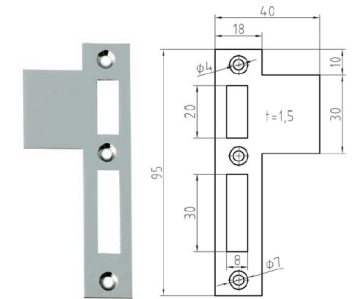
#12.969 Knobs & Escutcheons set



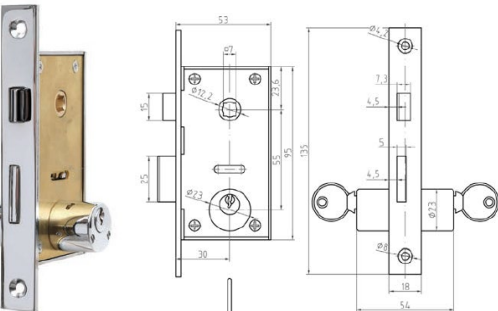
#18.68W Privacy Lock Thumb-turn/indicator



#12.68W Thumb-turn / Indicator Levers Escutcheons for Privacy Lock



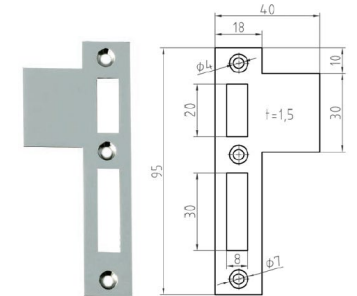
#18.90B Strike plate for #968 series



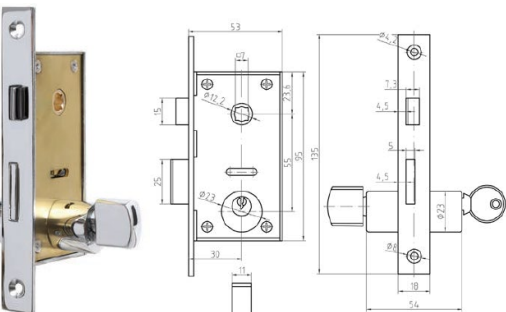
#18.68ZK Entry Lock Cylinder Key/Key



#12.68Z Levers Escutcheons for cylinder key



#12.90B strike plate for #968 series



#18.68Z Entry Lock Cylinder Key/Knob



#12.68Z Levers Escutcheons for cylinder key



Marine Mortise Lock Sets with 30 mm (1 3/16") Backset. Lock case 1/2" thick. For 1" (25 mm) thick doors. Polished Chrome Plated Brass



Full Set Entry Lock 25 mm / 1 inch backset

Escutcheon: #12.416; Levers #12.021; Mechanism: #19.82Z; Front plate lock: 210 x 21 mm;
profile cylinder key: #05.405. 304 Stainless Steel

**Fits in a Door Stile Width of 55 mm / 2 3/16 inch (wood) 50 mm / 2 inch (aluminum)
Suitable for full size Aluminum and Stainless Steel Framed Doors**

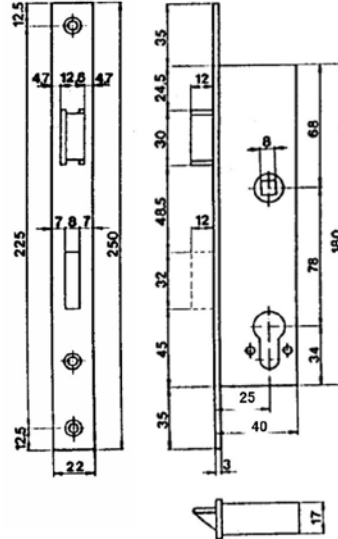


Showing with Escutcheon #12.417 with round corners



Izerwaren
Order
numbers

FOR NARROW STILE DOORS



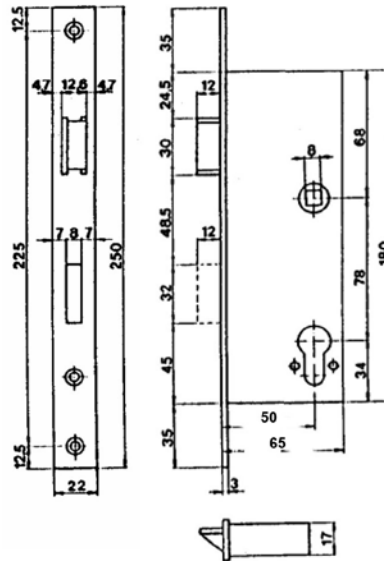
COMPLETE SET

19.82Z.25

Full Set Entry Lock
25 mm backset ~ 1 inch
Front plate 250 x 22 mm
For 8x8 mm spindle
304 stainless steel
Stile 55 mm wide 2 3/16 inch (wood)
Stile 50 mm wide- 2 inch (aluminum)

Case 180 x 40 x 17 mm
Backset 25 mm

#19.82Z Lock Separate. Strike Plate #14.0031
Narrow backset mortise entry lock
Backset: 1 inch
lock case: 1 9/16 x 7 1/8" x 3/4" thick
lock plate: 7/8" x 9 7/8"
Minimum Stile width: 2 1/4"



COMPLETE SET

19.83Z50

Full Set Entry Lock
50 mm backset ~ 2 inch
Front plate 250 x 22 mm
For 8x8 mm spindle
304 stainless steel
Stile width: 65 mm / 2 5/8 inch

Case 180 x 65 x 17 mm
Backset 50 mm

#19.83Z separate. Strike Plate #14.0031
Narrow backset mortise entry lock
Backset: 2 inch
lock case: 2 9/16" x 7 1/8" x 3/4" thick
lock plate: 7/8" x 9 7/8"
Minimum Stile width: 3 3/8"

Trim Separate:



Escutcheon #12.417 220 x 36 mm (8 5/8 inch x 1 3/8 inch) Lever #12.021
Escutcheon #12.222 220 x 45 mm (8 5/8 inch x 1 3/4 inch) Lever #12.527
More Trim Details: Page 1-1-2 and 1-2.

19.83Z

Entry Mortise Lock separate
50 mm backset

Functions:
Privacy or Entry
Functions available through
Profile Cylinder set up

Detail Trim Sets:
See page 1-9-1

05.405

Profile cylinder #1400 series
Specify door thickness and function.
See page 0-5 for details



Full Set Entry Lock 50 mm / 2 inch backset

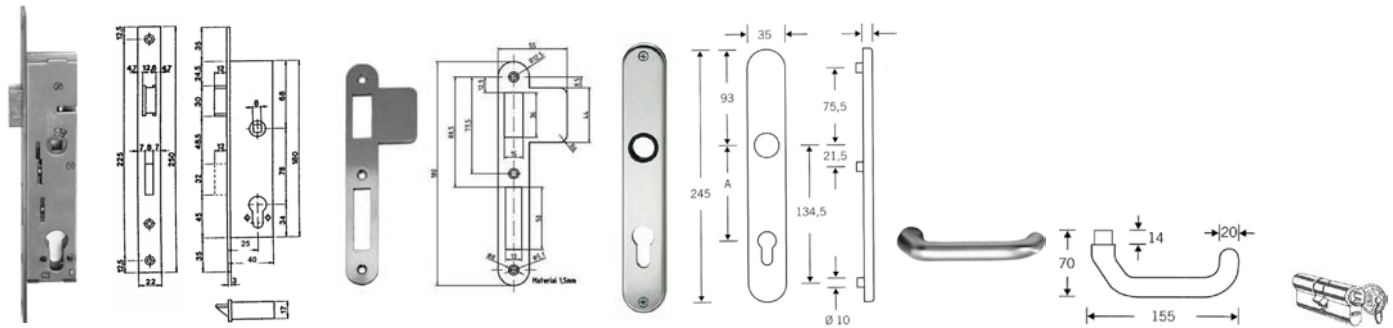
Escutcheon: #12.222; Front plate: 250 x 22 mm; Levers #12.045; Mechanism: #19.83Z; Profile cylinder key: #05.405.
304 Stainless Steel

Fits in a Door Stile Width of 65 mm / 2 5/8 inch

Suitable for full size Aluminum and Stainless Steel Framed Doors



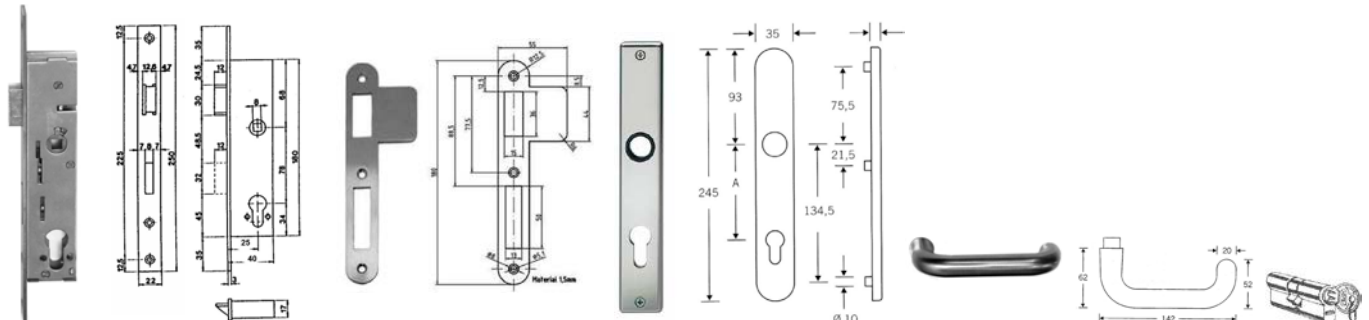
Showing with lever #12.527



SET #19.83Z25; 25 mm backset or 1 inch; all parts shown separately:
19.82Z; lock 25 mm backset 14.003I strike 12.417 escutcheon

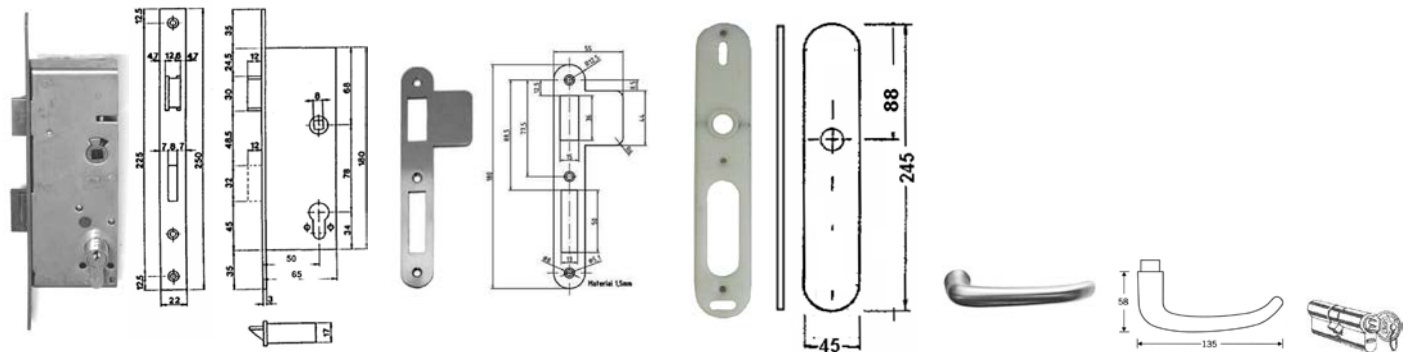
12.021 lever

05.488 keyway



SET #19.88Z25; 25 mm backset or 1 inch; Rectangular escutcheons, all parts shown separately:
19.82Z; lock 25 mm backset 14.003I strike 12.416 escutcheon square 12.045 lever

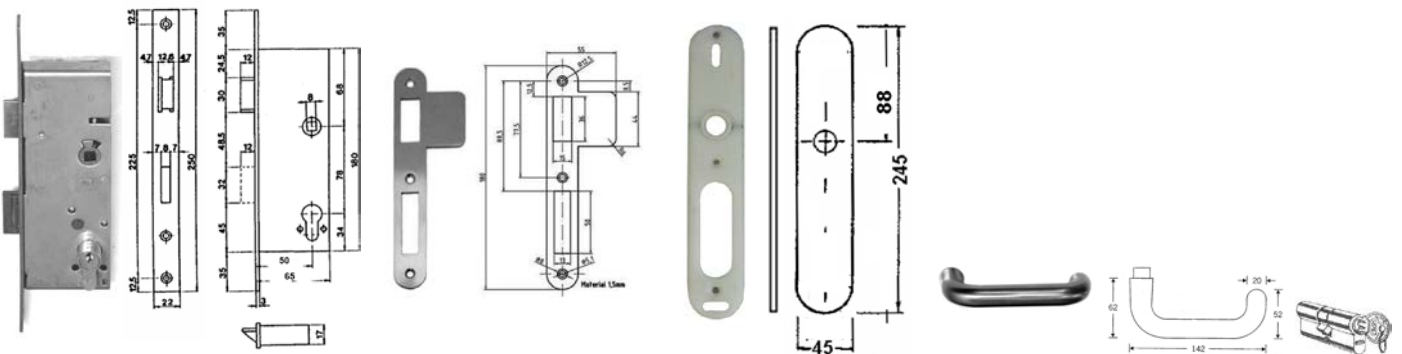
05.488 keyway



SET 19.83Z50; 50 mm backset or 2 inch; all parts shown separately:
19.83Z; Lock 50 mm backset 14.003I strike 12.222 escutcheon

12.527 lever;

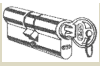
05.488 keyway



SET #19.88Z50; 50 mm backset or 2 inch; all parts shown separately:
19.83Z Lock; 14.003I strike 12.222 escutcheon

12.045 lever;

05.488 keyway



Trim for 30 mm locksets (968 series) see page I-8



12.68W



12.68K



12.68Z



12.68F



12.969

Trim for 40 mm locksets (4040 series and I6.S04 series) see page I-6



#12.59Z



#12.59W



12.59F

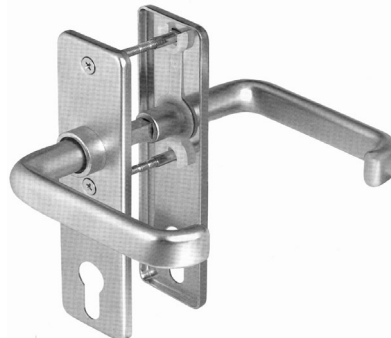


#18.740 + #16.924

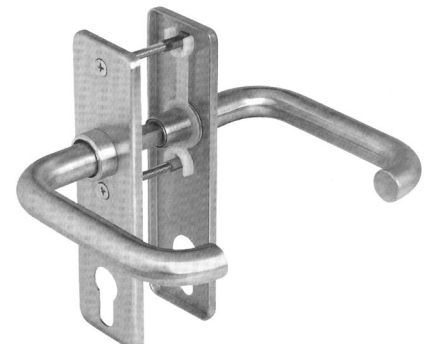
GSV and S&B Trim for 40, 50 and 55 mm locksets see page 1-4 and following



Classic Lever #14.310



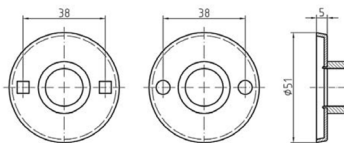
Lever handles #14.999
Shown with Escutcheon Plates #14.129



Lever handle #14.610



#14.304 Lever roses, pair 51 mm pair; for levers 14.310; 14.999, 14.610



#14.60Z profile cylinder roses



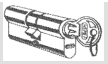
#14.604 roses for bit keys



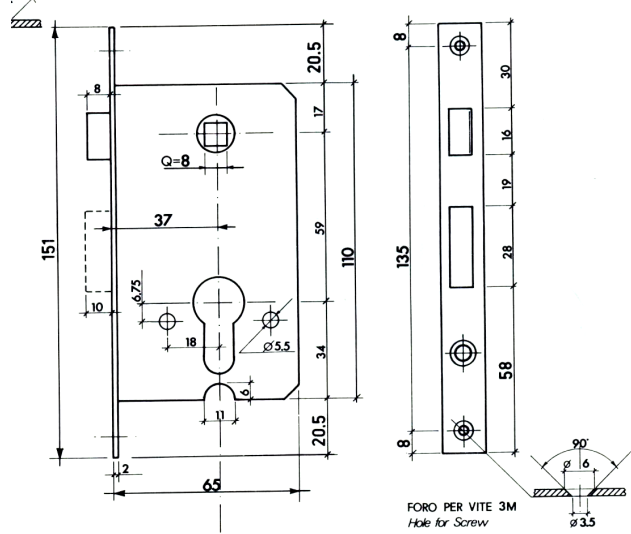
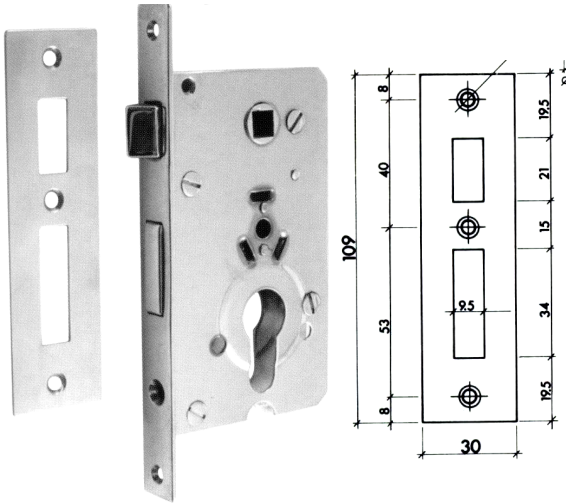
#14.40W Thumb-turn/indicator set



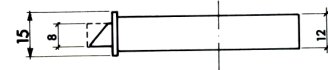
#10.9345Z Set: Entry lock 55 mm backset,
with lever #14.310, roses #14.304.



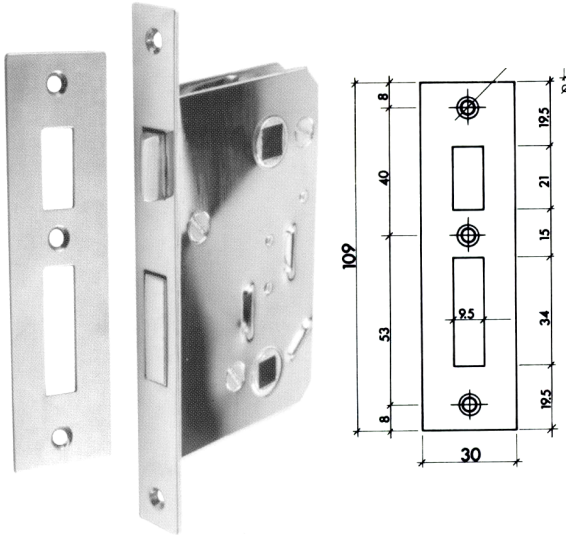
NEW! R & C SWINGING DOOR LOCKS FOR SMALL DOORS MINIMUM DOOR THICKNESS 1 INCH



18.3483 SET with escutcheons and levers; Entry Lock; 37 mm (1 1/2)backset.
Face plate: 151 x 15 x 2 mm; Lock case: 110 high x 65 wide x 12 mm thick. Center to Center PC: 59
Escutcheon plate: mm, Lever mm long overall.



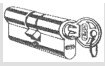
Marine grade; stainless steel and brass chrome plated parts.



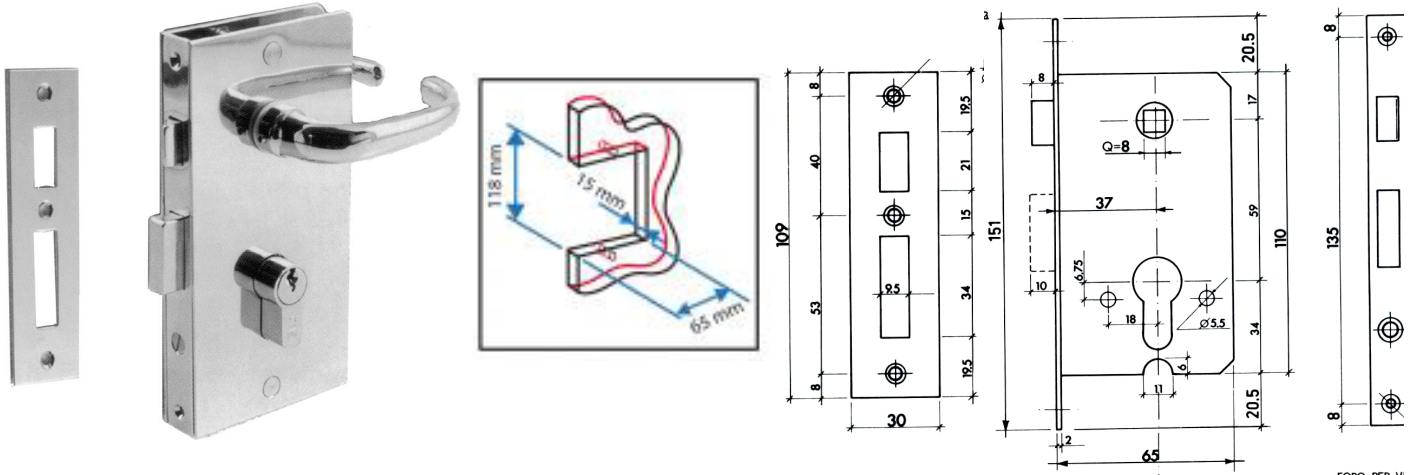
18.3474 SET with escutcheons and levers; Privacy Lock; 37 mm (1 1/2) backset.
Face plate: 133 x 15 x 2 mm; Lock case: 93 high x 55 wide x 12 mm thick. Center to Center spindle hole: 62 mm
18.3819 Escutcheon plate: 135 x 25 mm, 18.3485 Lever 84 x 38 mm long overall.
Marine grade; stainless steel and brass chrome plated parts.

- #18.348337 Entry lock separate
- #18.3472 Strike plate for entry lock separate
- #18.3485 Levers pair separate
- #18.3840 Escutcheons for entry lock separate
- #18.347437 Privacy latch separate
- #18.3472 Strike for privacy latch
- #18.3819 Escutcheons for privacy lock separate
- #18.402337 Passage latch; 18.3818 passage escutcheons; (latch not showing)





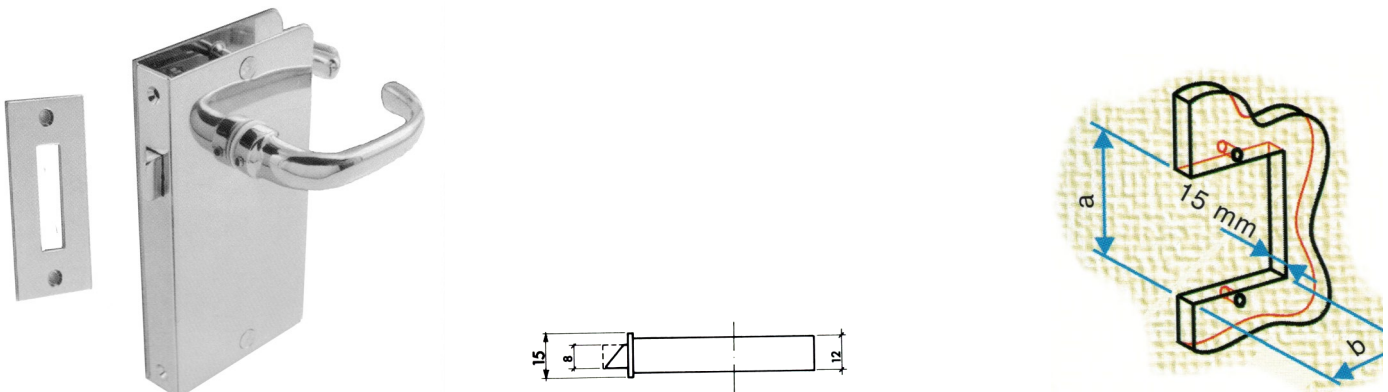
**R & C SWINGING DOOR LOCKS FOR PLEXIGLASS DOORS AND DOORS WITH CUTOUTS.
MINIMUM DOOR THICKNESS 5/8 INCH**



18.348330 ENTRY SET WITH COVER PLATES for PLEXIGASS AND WOODEN DOOR WITH CUTOUTS with cover plates and levers; Entry Lock; 37 mm (1 1/2) backset.
Cover plate: 70 W x 150 H x 1.5 mm; Lock case: 110 high x 65 wide x 12 mm thick. Center to Center PC: 59 mm
Cut out: Distance "a": 118 mm; Distance "b": 65 mm
Marine grade; stainless steel and brass chrome plated parts.



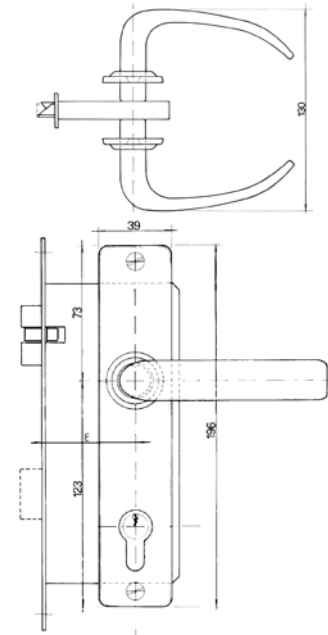
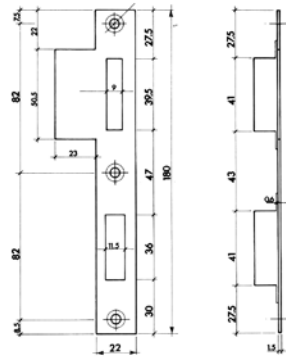
#18.4020 + #18.3485 #18.4020 + lever #15.0026 Lever #15.00076 101 mm high x 65 mm wide
18.4020 PASSAGE SET; for PLEXIGASS AND WOODEN DOOR WITH CUTOUTS. 37 mm (1 1/2 inch) backset.
Mechanism comes with cover plates and levers.
Cover plate: 70 W x 80 H x 1.5 mm; Lock case: 12 mm thick.
Cut out: Distance "a": 101 mm; Distance "b": 65 mm; Material thickness: 15 mm (5/8 inch)
Marine grade; stainless steel and brass chrome plated parts.
2nd Picture shows Latch with lever #15.0026 (see Regutti Decorative Brochure)
Alternative: lever #15.0076 (see Regutti Decorative Brochure)



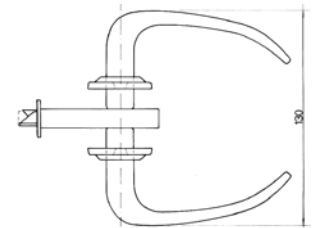
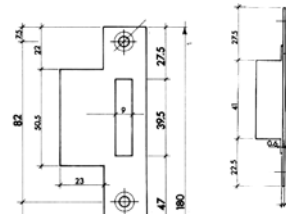
18.4019 PASSAGE SET; for PLEXIGASS AND WOODEN DOOR WITH CUTOUTS. 37 mm (1 1/2) backset.
with cover plates and levers. Cover plate: 70 W x 132 H x 1.5 mm; Lock case: 12 mm thick.
Cutout: Distance "a": 50 mm; Distance "b": 65 mm.
Marine grade; stainless steel and brass chrome plated parts.



R & C SWINGING DOOR LOCKS

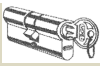


18.2035 SET; Entry Lock; 370 mm backset. Face plate: 212 x 22 x 2 mm; Lock case: 165 high x 75 wide x 13 mm thick. Escutcheon plate: 196 x 38 mm, Lever 110 mm long overall. Marine grade; stainless steel and brass chrome plated parts.



#18.2031 SET Passage door lock 50 mm backset. Face plate: 144 x 22 x 2 mm; Lock case: 95 high x 75 wide x 13 mm thick. Escutcheon plate: 196 x 38 mm, Lever 110mm long overall. Marine grade; stainless steel and brass chrome plated parts.

- #18.203512 Entry lock separate
- #18.2036 Strike plate for entry lock separate
- #18.3125 Levers pair separate
- #18.3992 Escutcheons for entry lock separate
- #18.204112 Passage latch separate
- #18.2032 Strike for passage latch
- #18.2041 Escutcheons for passage latch separate



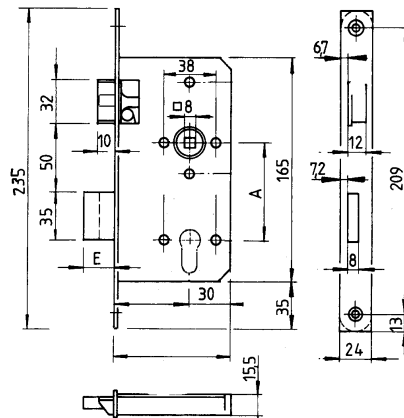
Entry set for Profile Cylinder #18.490; 60 mm backset



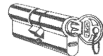
Privacy lock for use with thumb-turn / indicator #18.125



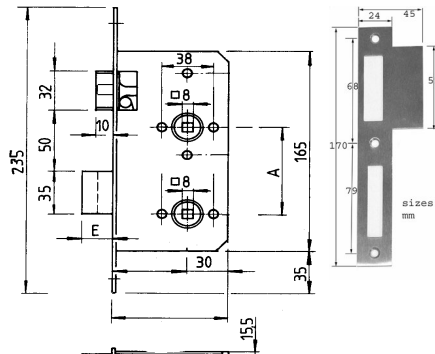
Passage lock for lever handle only #18.491



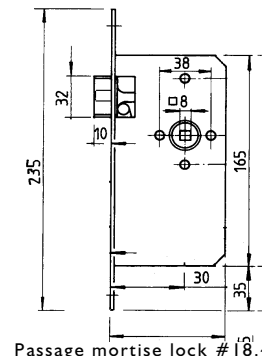
Entry mortise lock #18.490



Profile Cylinder #1400 series see page 0-5



Privacy mortise lock #18.125; 60 mm backset



Passage mortise lock #18.491; 60 mm backset

Izerwaren Order numbers

- Extra heavy duty Brass Mortise lock, backset 60 mm - 2 3/8"
- Minimum door thickness: 32 mm - 1 1/4"
- With anti-friction triple latch bolt
- Square corners on lock & strike plate
- Strike plate included with lock
- Specify left or right hand and door thickness
- Specify finish:
 - polished chrome plated brass
 - polished brass lacquered
 - gold plated brass

18.490 **Entry Mortise Lock (5490)**
 Center spindle hole to center key hole: 72 mm
 Case: 90 mm x 165 mm x 15.5 mm thick
 Front plate 209 x 24 mm
 For 8x8 mm spindle / door lever handles
 Use with profile cylinder key/key or key/knob

18.90B **Strike plate (5490B)**

18.125 **Privacy Mortise Lock (5125)**
 Center spindle hole to center key hole: 78 mm
 Case: 90 mm x 165 mm x 15.5 mm thick
 Front plate 209 x 24 mm
 For 8x8 mm spindle / door lever handles
 8 x 8 mm spindle for thumb-turn

18.90B **Strike plate (5490B)**

18.491 **Passage Mortise Lock (5491)**
 Case: 90 mm x 165 mm x 15.5 mm thick
 Front plate 209 x 24 mm
 For 8x8 mm spindle / door lever handles
 8 x 8 mm spindle for thumb-turn

18.91B **Strike plate (5491B)**

18.492 **Dead Bolt Mortise Lock (5492)(not depicted)**
 Case: 80 mm x 75 mm x 16 mm thick
 Front plate 125 x 25 mm
 Works with Profile Cylinder Key Way

14.241 **Strike plate (3241)**

For Sliding door Mortise Locks: (3381Z)
Please see page 1-13

Profile cylinder #1400 series
Key/key or key/knob or knob/indicator
Please See for functions cylinders: page 0-5

HIGH QUALITY MORTISE LOCKS!

- Bronze bearings on the follower
- Self cocking follower: no play on spindle
- Key action on the latch bolt ((5490)
- Double throw on dead bolt (5490)
- Triple latch bolt = no friction
- Latch bolt sound proofed nylon buffer
- heavy duty construction



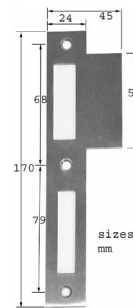
04.P06/16.F10
235 x 40 mm



11.P84/13.J49
235 x 37 mm



1835/8005
248 x 42 mm



Strike #18.90B
170 x 45 mm



18.490-All Steel Mortise Lock

For our full Decorative Door Hardware Program see www.Izerwaren.com



Izerwaren
Order
numbers

- Extra heavy duty double door mortise lock, backset passive side 50 mm - 2"; active side 45 mm 1 3/4"
- Minimum door thickness: 32 mm - 1 1/4"
- square corners on locks
- Specify left or right hand and door thickness
- Specify finish stainless steel front plate:
satin stainless steel
polished stainless steel

For French doors or interlocking doors.

Function:

Inside: First active door needs to be unlocked by key or thumb-turn. Both doors are opened at the same time or separate by pushing down lever on passive side and/or active side.

Outside: Active side is unlocked by key. Passive side can not be opened when active side is locked with key. After active side is unlocked both doors can be opened by depressing the lever handles on the active and/or passive side.

The passive side is locked by bolts in top and bottom of door jamb. The active side is locked with latch and dead bolt inside front plate of the passive lock case.

For use as Anti Panic Lockset for double doors.

Function:

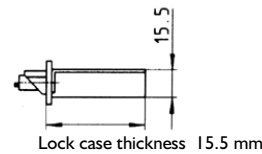
Both doors are opened at the same time from the inside by pushing down lever of either passive side or active side.

From outside: Active lock can only be unlocked by key. Both passive and active lock are executed with dummy lever handles on outside. Passive side is locked by bolts in top and bottom of door jamb.

Active side is locked with latch and dead bolt inside front plate of the passive lock case.



Double door entry mortise lock set
19.659 (left; passive) # 19.668 (right; active)



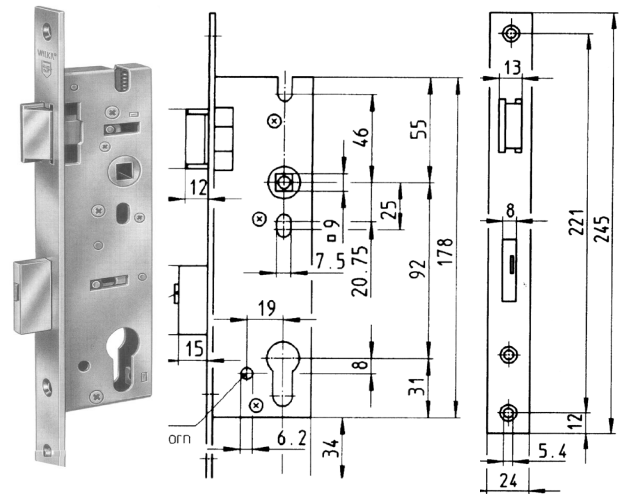
- 19.668 Active lock, 45 mm backset
Case 178x60x15.5 mm
Front plate 24x245 mm
Latch action on the dead bolt
Key action on lever handle (in anti-panic execution)
Front plate stainless steel, case galvanized steel

- 19.659 Passive lock, 50 mm backset
Case 178x65x15.5 mm
Front plate 24x245 mm
Front plate stainless steel, case galvanized steel
Vertical bolt action with two M8 threaded bolts
Stainless steel bolts 5/16 supplied, with strikes

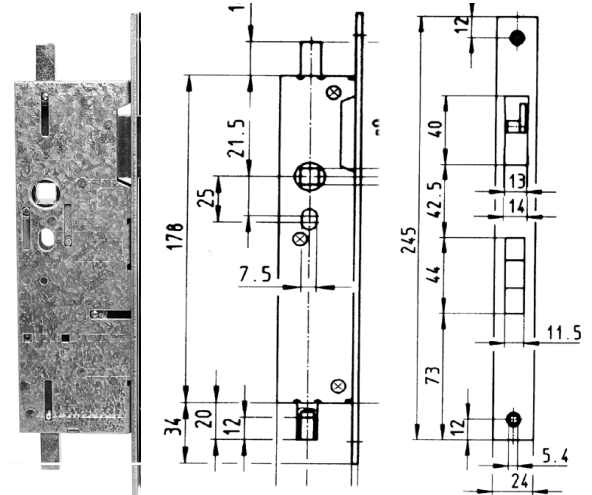
- 19.661 Order separate: vertical stainless steel bolts 5/16" diameter and strike plates.
Please indicate door size when ordering.

OTHER FUNCTIONS POSSIBLE.
Call our office for details

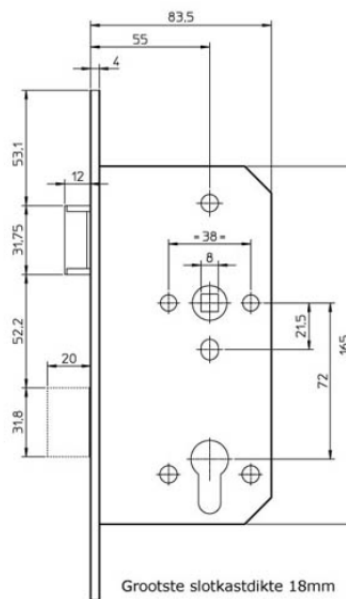
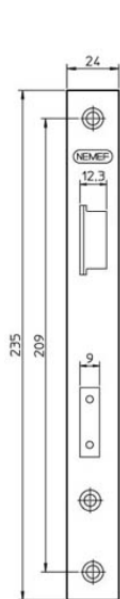
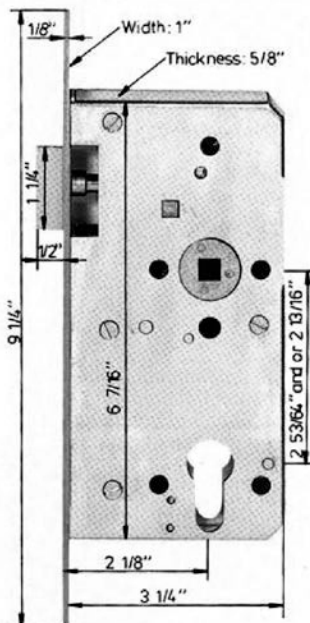
Profile cylinder series 1400 see page 0-5 catalog



Entry mortise lock set # 19.668 (active)

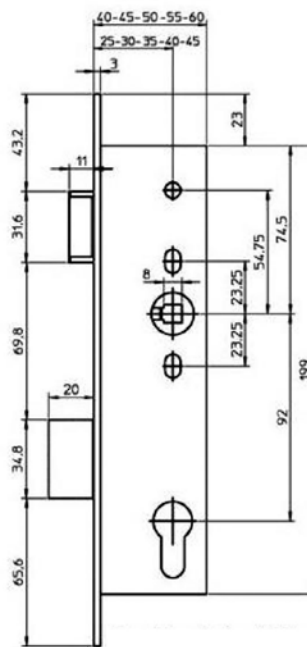
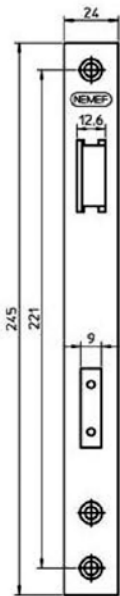
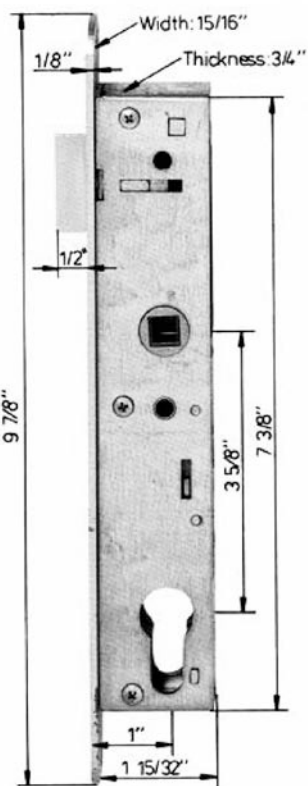


Passive mortise lock set # 19.659
Operates with lever through vertical bolts M8



Original Jado lock 459/457/200

replacement Nefef Lock #440I order number #18.459 finish: satin stainless only



case 18 mm thick; 199 x 40mm lock nefef 4169 -25 mm backset

Jado 459/451/045 lock with 1 inch backset

Nefef replacement 4169 Order number: #18.416 satin stainless steel

For our full Decorative Door Hardware Program, including Jado Levers, please check our website on line